



BIMINI COVER

Install Guide
WP.BC.01

NOTE

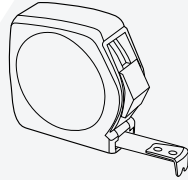
Locate the manufacturers mounting template included with the Bimini Cover prior to beginning installation.

HARDWARE REQUIRED



*Required if nut accessibility is restricted

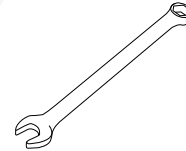
TOOLS REQUIRED



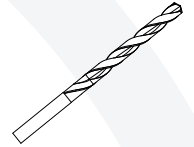
Tape Measure



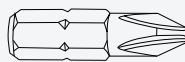
Safety Glasses



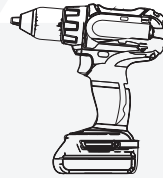
3/8" Wrench



Drill Bits:
1/8" (snaps)
13/64" (brackets)
19/64"* (nutsert)



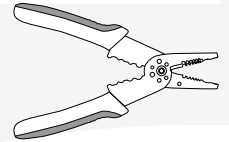
Phillips Bits



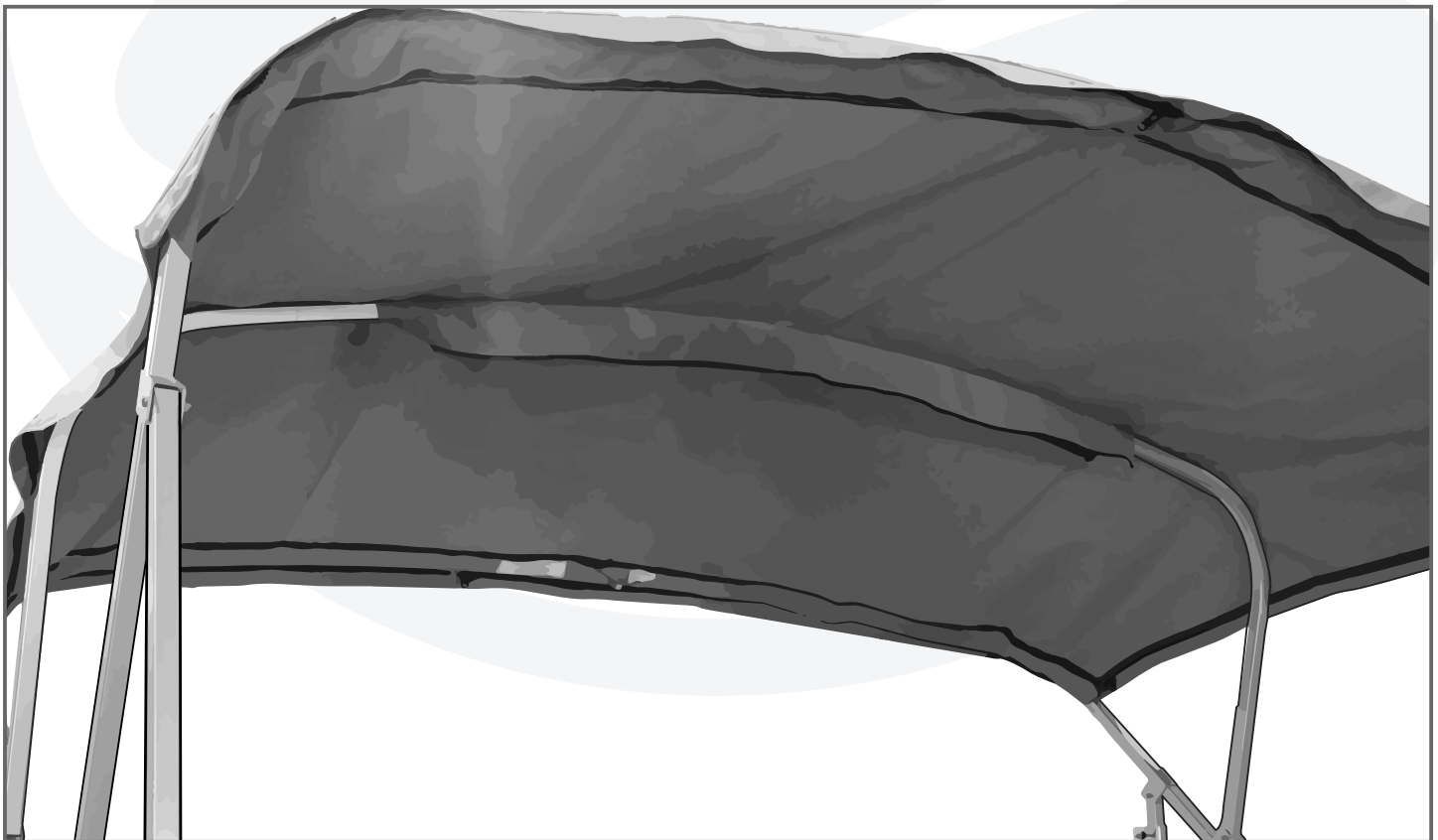
Drill



Nutsert Gun*



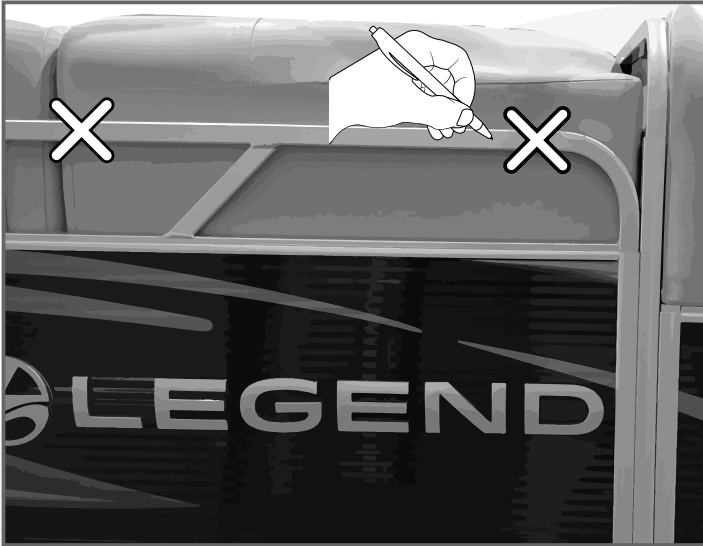
Wire Snips





BIMINI COVER

Install Guide
WP.BC.01



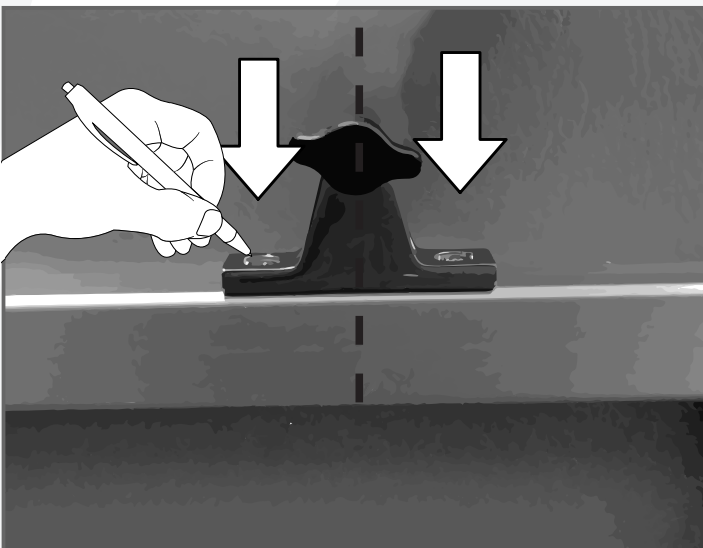
STEP 1

Locate and organize the appropriate hardware and Bimini for the pontoon.

Referencing the manufacturers specified mounting location template, mark each distance onto the top rail of the port and starboard pontoon railings.

ATTENTION

Every marked location is for the center of each Bimini mounting bracket.

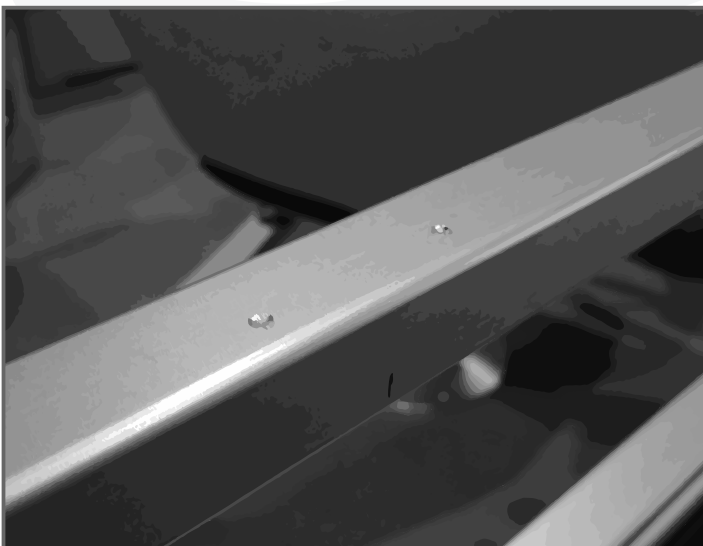


STEP 2

Align each marking with the middle of the Bimini bracket and mark the two mounting holes onto the top of the pontoon railing.

ATTENTION

Ensure the bracket is flush with the outside face of the railing prior to marking the mounting holes.



STEP 3

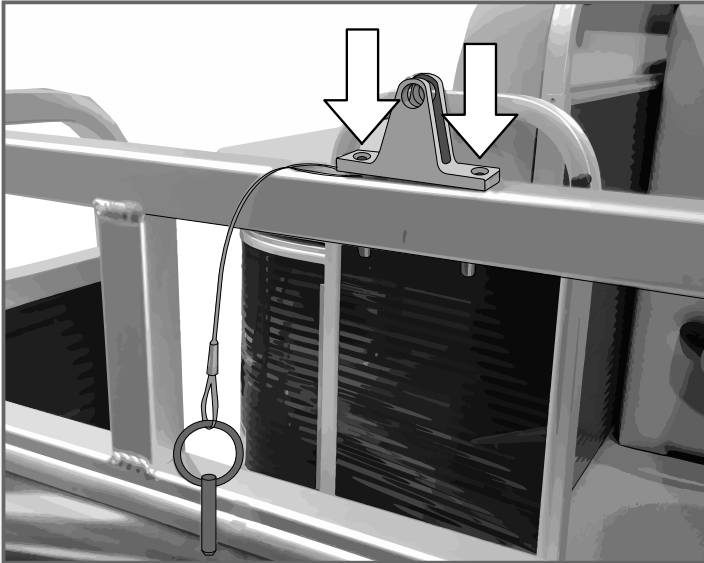
If the rail is accessible from underneath to accommodate a nut, use a **13/64"** drill bit to tap a pilot hole into the railing using the mounting holes as a guide.

If the rail is inaccessible from underneath to accommodate a nut, use a **19/64"** drill bit to tap a pilot hole into the railing using the mounting holes as a guide.



BIMINI COVER

Install Guide
WP.BC.01



STEP 4

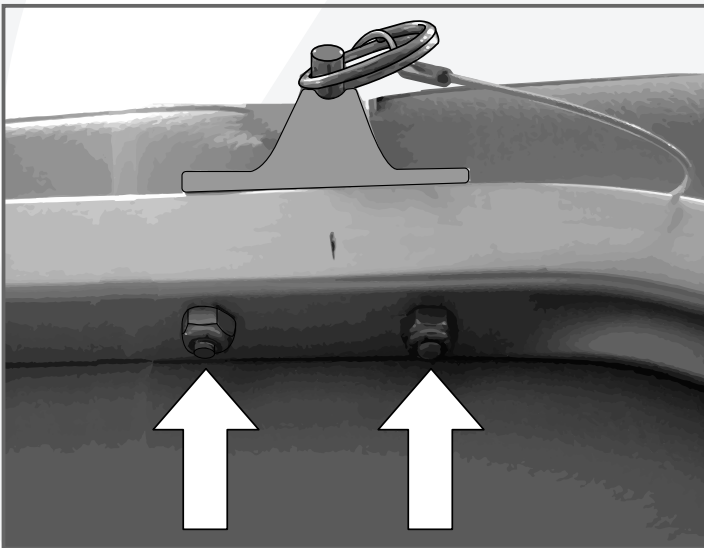
Install the bracket into the pontoon railing using the supplied hardware.

NOTE

Use a nut insert (N2) if accessibility to installing a nut is restricted.

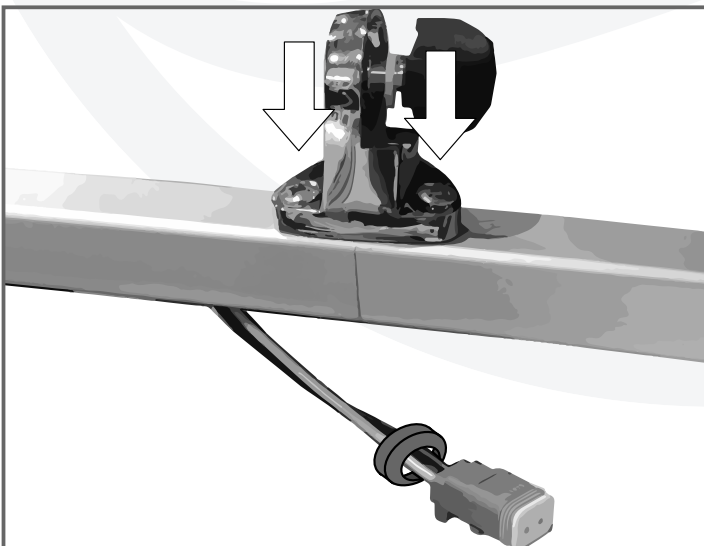
ATTENTION

Reference the manufacturer's template, as some brackets require a locking pin with steel cable. Thread the hoop through the screw, between the bracket and railing prior to installing the bracket.



STEP 5

Secure the brackets to the railing using the supplied hardware.



STEP 6

Locate the mounting bracket for the top cross bar of the Bimini Frame.

Using the supplied hardware, install the mounting bracket into the top cross bar.

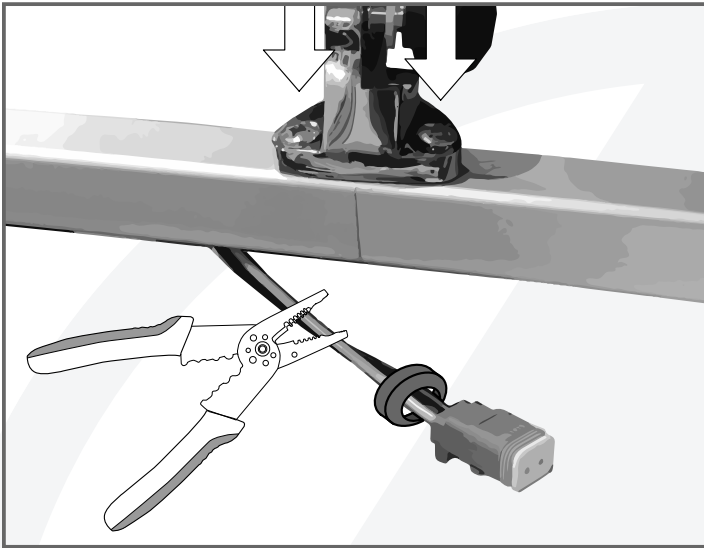
NOTE

Ensure the bracket is facing the proper direction and any wiring is pointing downwards.



BIMINI COVER

Install Guide
WP.BC.01



STEP 7

The wires extending below the top cross bar should only be approximately 5 inches long.

Using wire snips and a terminal connector (C1), shorten and reconnect the wiring accordingly.

NOTE

Remove the wire grommet prior to shortening the cable.

Prior to connecting the wires, ensure the grommet is threaded around the wires.



STEP 8

Assemble the left and right sides of the Bimini frame.

Mount the left Bimini frame onto the previously installed brackets on the port and starboard sides.



STEP 9

Mount the center Bimini cross supports into the left and right Bimini frames, securing the Bimini onto the pontoon.

The wired top cross support bar should be the rear most bar to accommodate the navigation light post.

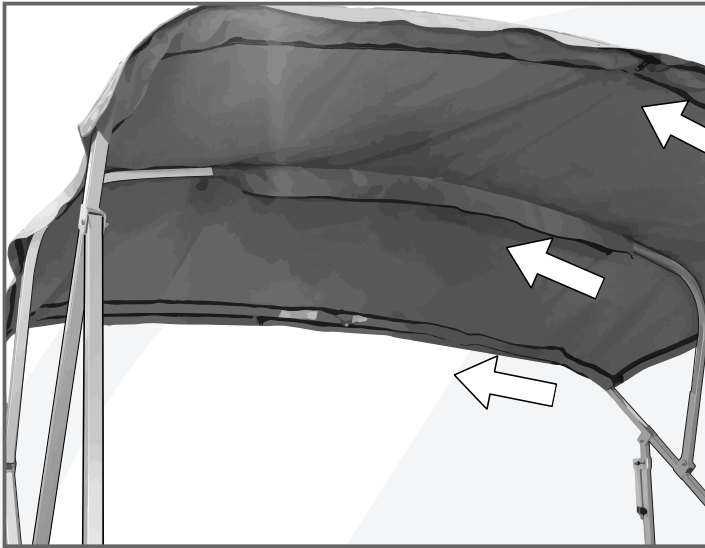
NOTE

Ensure any wires from the Bimini frame are facing into the pontoon.



BIMINI COVER

Install Guide
WP.BC.01



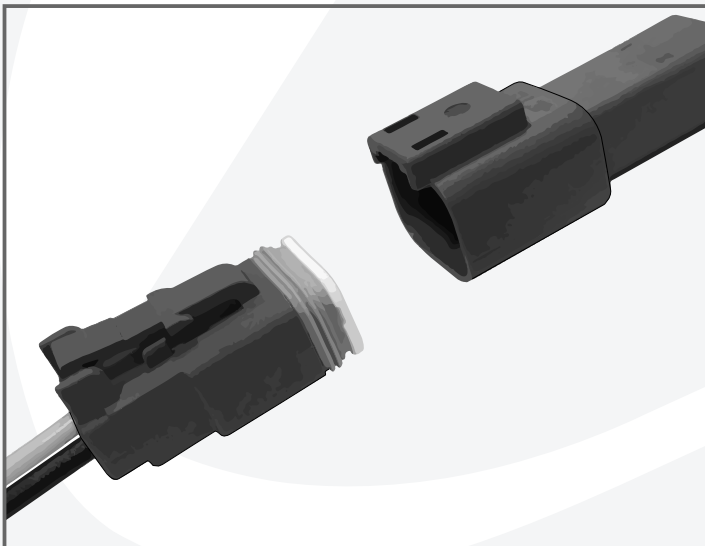
STEP 10

Locate and install the Bimini canvas onto the Bimini frame by zipping it around the center Bimini cross supports.

Ensure the canvas is installed properly to accommodate the navigation light post at the rear.

NOTE

Releasing the front Bimini posts from the brackets will help the canvas installation.



STEP 11

Connect the Bimini frame wiring to the railing wiring by matching the connectors.

If the Bimini frame includes a navigation light mount it to the top cross bar at the top of the frame.