



DUV 15/18TM TRAILER

Shoreland'r Trailer Install Guide
WB.DUV1518TMT.01

NOTE

Riggers should be cautious assembling trailers and always use two people to move or rotate any heavy items. Your safety is our #1 priority.

TOOLS REQUIRED



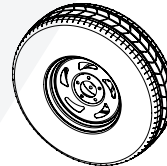
Safety Glasses



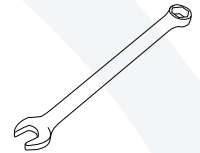
Hearing Protection



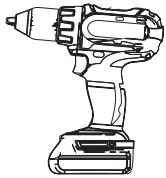
Jack Stands



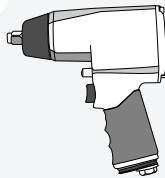
Tires



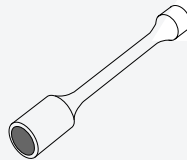
9/16" Wrench
13/16" Wrench
3/4" Wrench



Drill



Pneumatic Socket Wrench



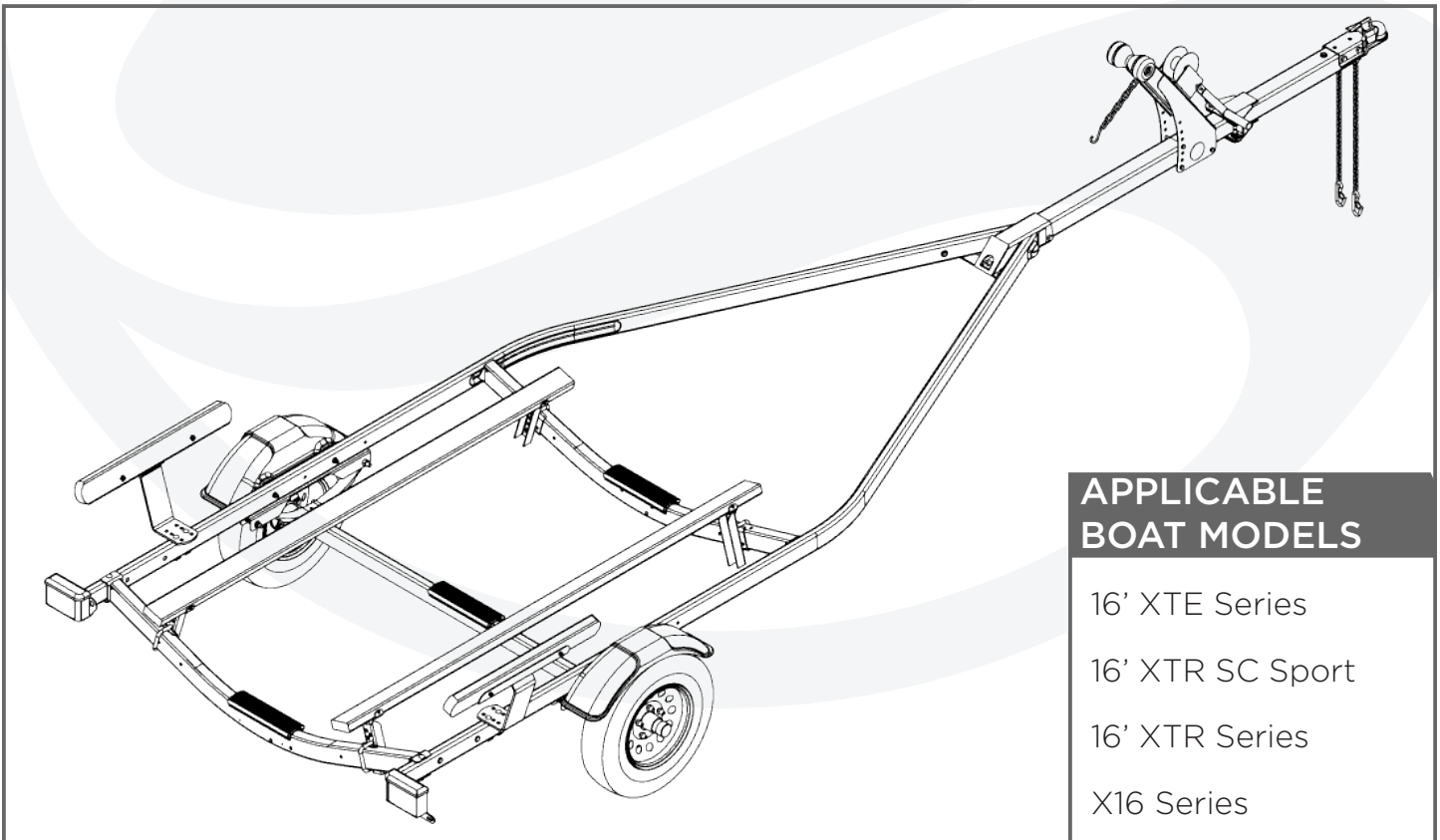
Torque Stick



Jack & Dolly



3/8" Socket
9/16" Socket
13/16" Socket
3/4" Socket
22mm Socket



APPLICABLE BOAT MODELS

16' XTE Series

16' XTR SC Sport

16' XTR Series

X16 Series



DUV 15/18TM TRAILER

Shoreland'r Trailer Install Guide
WB.DUV1518TMT.01

INDEX

PREPARATION.....	3
LEAF SPRINGS.....	4
AXLE.....	5
TIRES.....	6
TONGUE TUBE.....	7
SAFETY CHAINS.....	9
WINCH POST.....	10
JACK & DOLLEY.....	12
BUNKS.....	13
GUIDE-ON BUNKS.....	14
ID TAGGING.....	15



DUV 15/18TM TRAILER

Shoreland'r Trailer Install Guide
WB.DUV1518TMT.01

PREPARATION

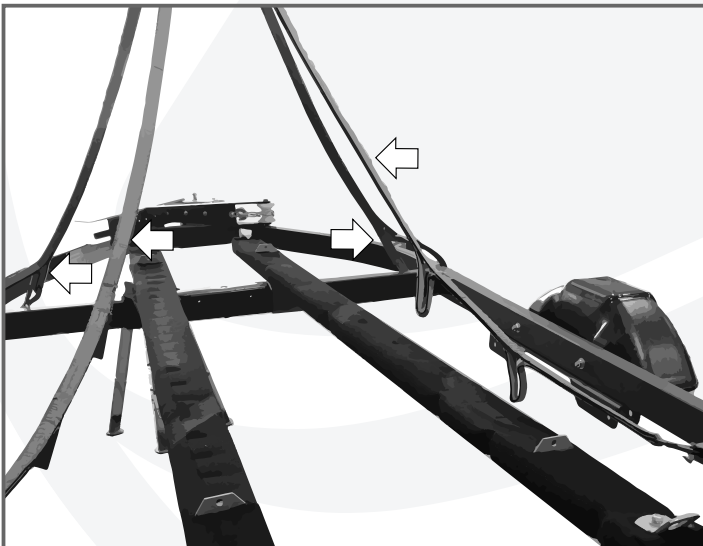
Remove all parts strapped onto the Trailer Frame and locate the hardware bag.



STEP 1

Referencing the manufacturers specifications on the trailer frame, locate the tires required.

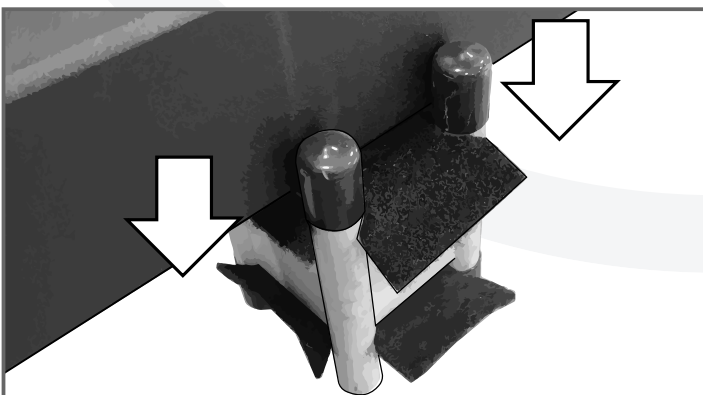
Match the tire code located on the face of the tire with the specified tire type.



STEP 2

Rig and hoist the trailer frame into the air.

Lower and rest the trailer frame onto the jack stands ensuring the jack stands are appropriately positioned.



STEP 3

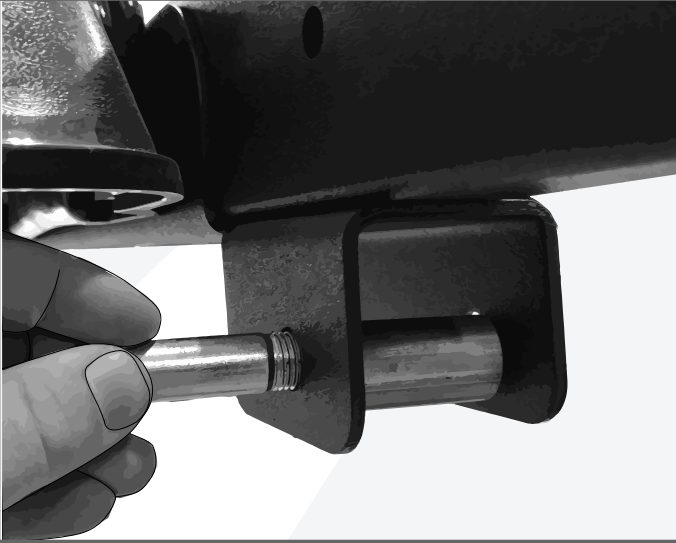
Remove the plastic spacers around the trailer and recycle accordingly.



DUV 15/18TM TRAILER

Shoreland'r Trailer Install Guide
WB.DUV1518TMT.01

LEAF SPRINGS



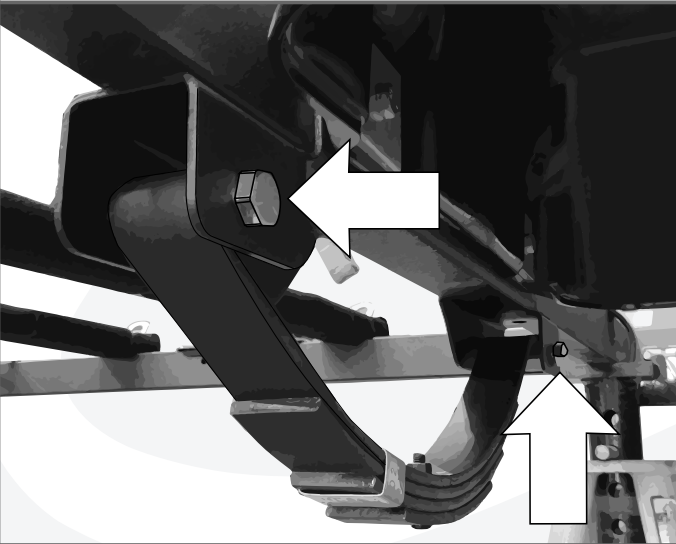
STEP 1

Mount the supplied spring bushing spacer and bolt into the rear leaf spring brackets of the Trailer.

Hand tighten with supplied nuts. Threads should rest on the inside of the trailer.

ATTENTION

The Leaf Spring should hook and rest on the rear bushing.



STEP 2

Hook the leaf spring onto the rear bushing spacer and thread the supplied bolt into the leaf spring through the front bracket, locking it in place.

Hand tighten with supplied nut.

ATTENTION

The Leaf Spring should hook and rest on the rear bushing.



STEP 3

Using a wrench and pneumatic drill, tighten the leaf springs onto the trailer frame.

ATTENTION

Do not over tighten the bolts on the frame.



DUV 15/18TM TRAILER

Shoreland'r Trailer Install Guide
WB.DUV1518TMT.01

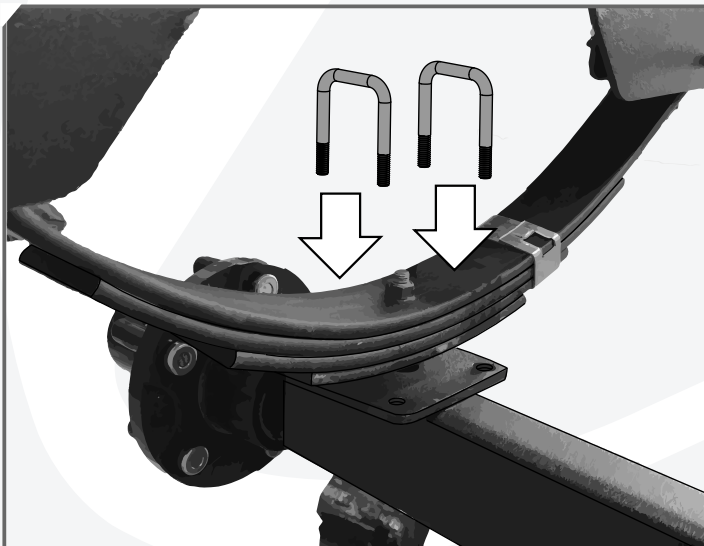


STEP 1

Lineup a jack stand beneath both leaf springs and lift the axle onto the jack stand.

ATTENTION

Ensure proper lifting form when moving any heavy items. If you cannot safely move the axle, two riggers are required.



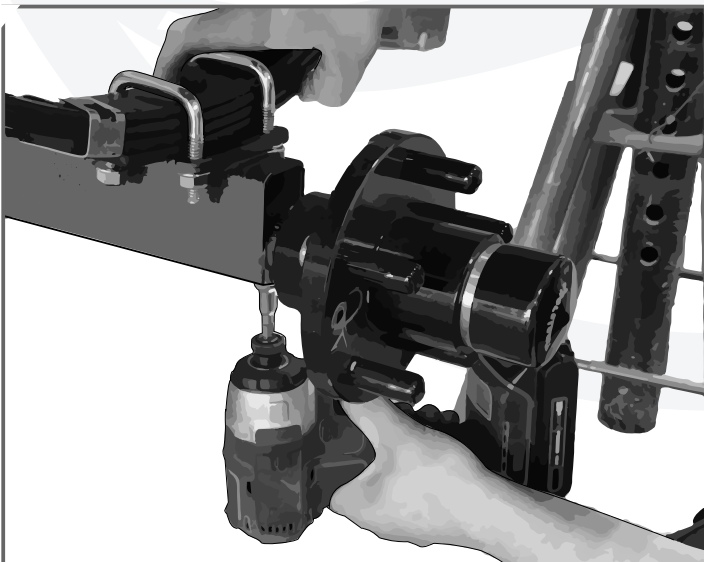
STEP 2

Raise the axle to the leaf spring and install the two U-Bolts over the leaf spring and into the axle.

Hand tighten the supplied nuts and repeat to the opposite side.

ATTENTION

Ensure the Axle is properly centered in the middle of the leaf springs.



STEP 3

Using a drill, tighten the nuts securing the axle onto the Leaf Springs.

ATTENTION

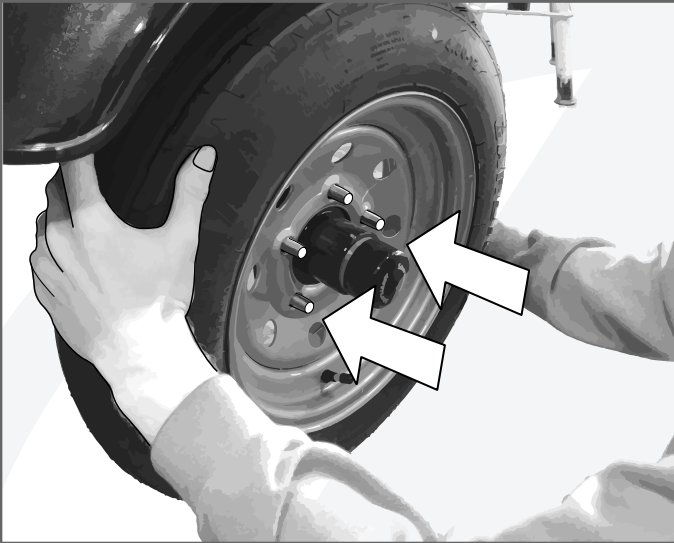
Do not over tighten the bolts on the axle.



DUV 15/18TM TRAILER

Shoreland'r Trailer Install Guide
WB.DUV1518TMT.01

TIRES



STEP 1

Locate the tires as specified on the trailer frame specifications sticker and mount the tire onto the axle, aligning the lug nuts with the holes in the rim.

ATTENTION

Ensure the tire is mounted properly by confirming the valve stem is facing outwards.

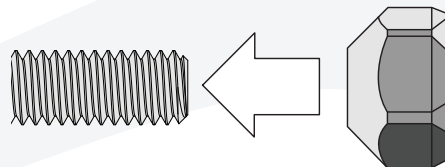


STEP 2

Loosely install the supplied Lug Nuts onto the lug bolts. Ensure the tapered end of the lug nut points inward.

ATTENTION

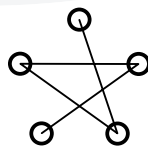
Ensure the tapered end points inward.



STEP 3

Using a pneumatic drill tighten the nuts in a star pattern, securing the tire onto the axle.

When the trailer is lowered to the ground, tighten the lug nuts with a torque bar to 90lbs.



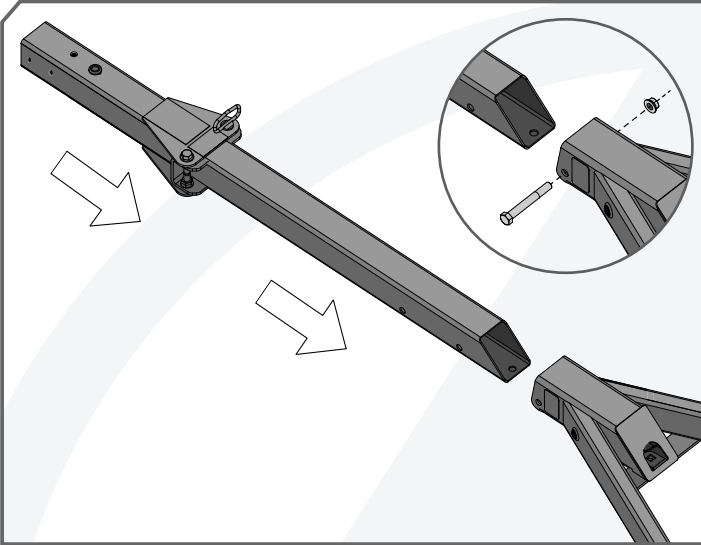
ATTENTION

Use a torque bar rated to 90lbs to tighten the lug nuts in a star pattern.



DUV 15/18TM TRAILER

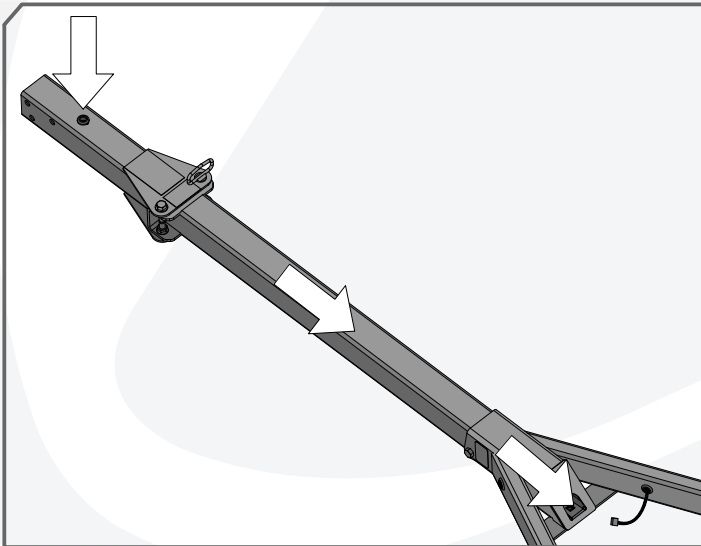
Shoreland'r Trailer Install Guide
WB.DUV1518TMT.01



STEP 1

Insert the tongue assembly through the front channel of the frame.

Install the tongue into the frame with the supplied hardware, do not install the vertical bolt.



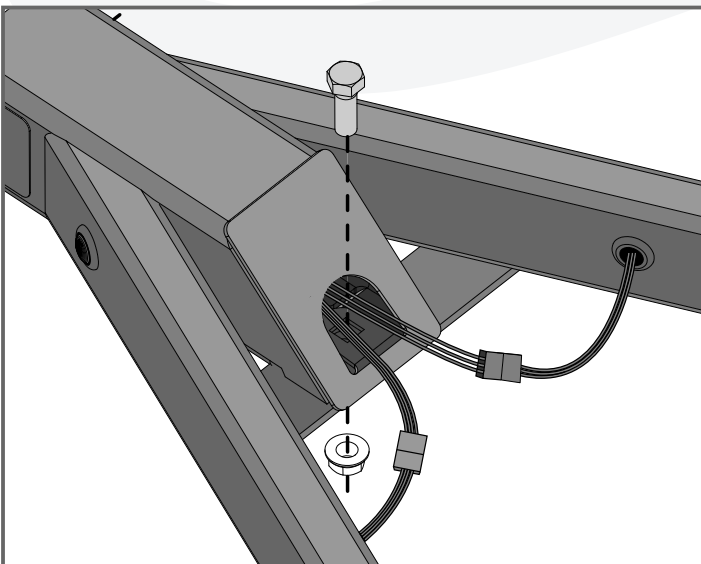
STEP 2

Locate and insert the tongue wire harness into the hole at the top of the tongue. Thread the wiring out the rear of the tongue.

Connect the rear tongue wire harness to the trailer harness by matching plugs.

NOTE

Opening the swing tongue can assist in threading the wiring. Do not pinch the wiring when closing the swing tongue.



STEP 3

Install the vertical bolt through the trailer frame and tongue using the supplied hardware.

Hide any excess wiring inside the tongue tube.

ATTENTION

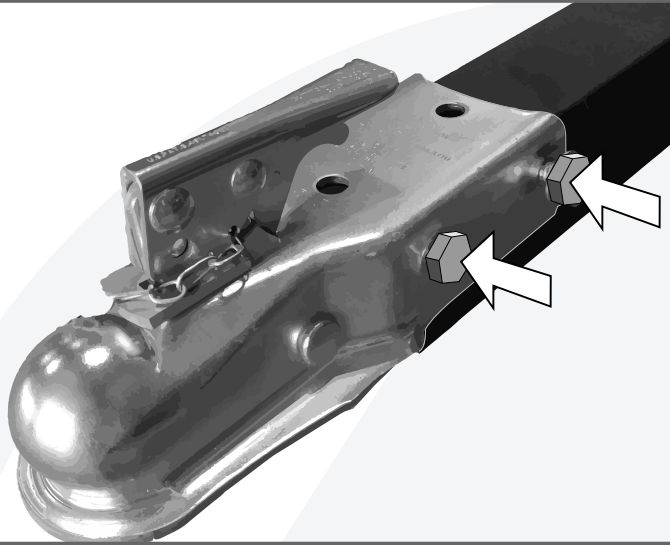
Ensure all bolts are properly tightened and no excess wiring is exposed.

TONGUE TUBE



DUV 15/18TM TRAILER

Shoreland'r Trailer Install Guide
WB.DUV1518TMT.01



STEP 4

Locate the proper coupler for the trailer based on the Legend wholesale guide.
Install the coupler onto the front of the tongue using the supplied hardware.

ATTENTION

Refer to the Legend Wholesale Guide for the proper tongue.

TONGUE TUBE



DUV 15/18TM TRAILER

Shoreland'r Trailer Install Guide
WB.DUV1518TMT.01



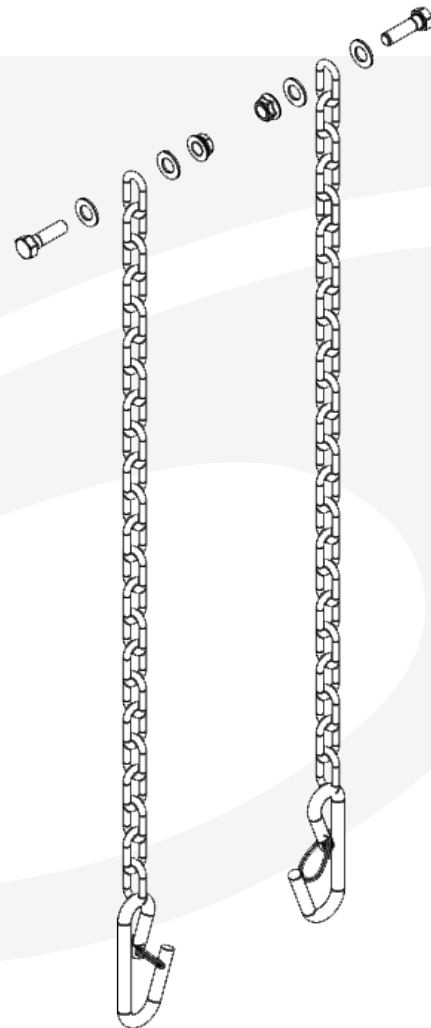
STEP 1

Locate the safety chains and install them onto the tongue tube using the supplied hardware.

Repeat to the opposite side.

NOTE

Reference the supplier manual for exact hardware call-outs.

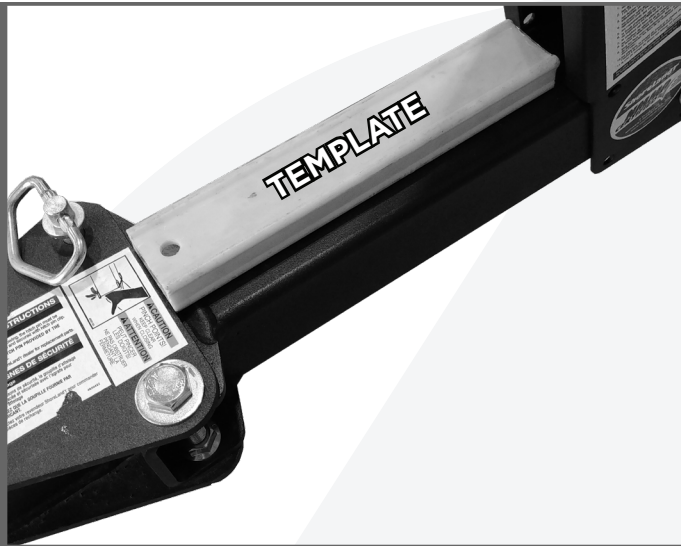




DUV 15/18TM TRAILER

Shoreland'r Trailer Install Guide
WB.DUV1518TMT.01

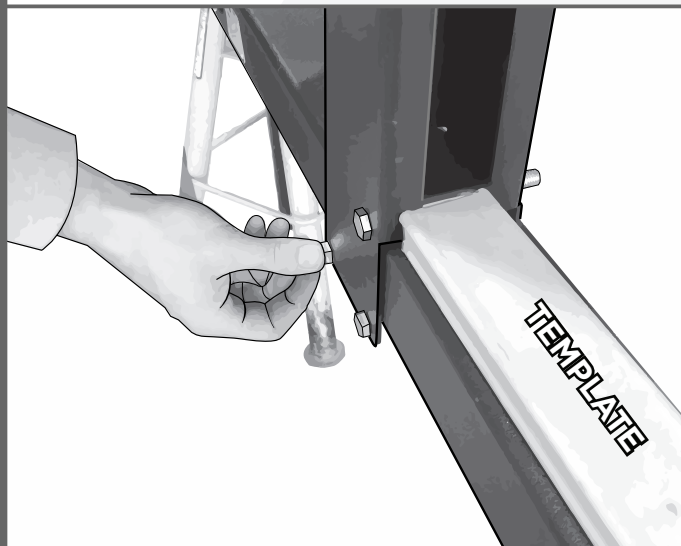
WINCH POST



STEP 1

Locate and mount the winch post assembly onto the tongue.

The winch post location is boat specific. Refer to the Wholesale Manual for the mounting position and locate the template in the workshop.

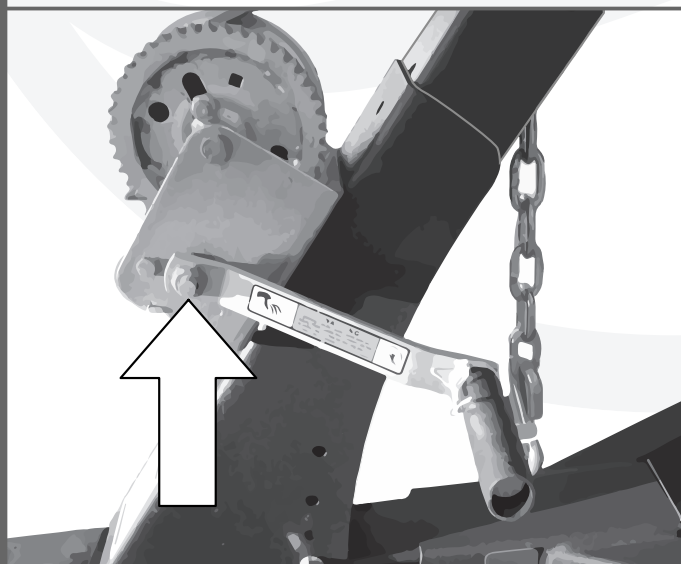


STEP 2

Install the winch post onto the tongue using the supplied hardware and template.

ATTENTION

Ensure the bolts are properly tightened using a socket drill and wrench.



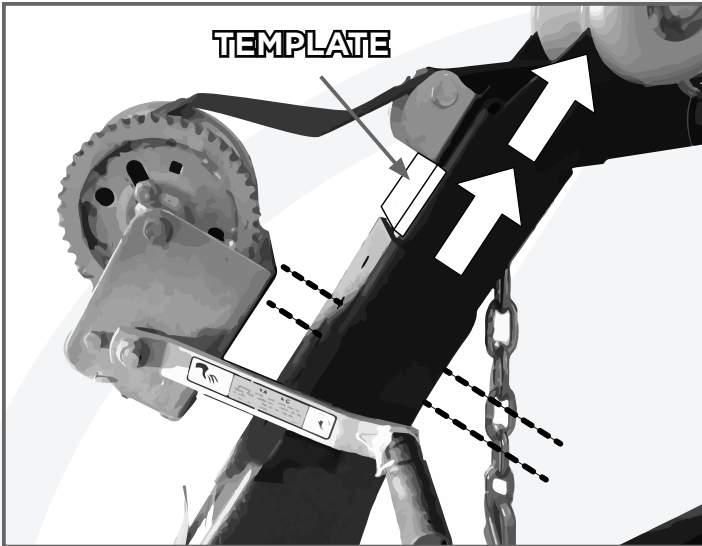
STEP 3

Install the winch handle onto the drive shaft of the winch, secure using the supplied hardware.



DUV 15/18TM TRAILER

Shoreland'r Trailer Install Guide
WB.DUV1518TMT.01



STEP 4

Loosen the hardware attaching the winch to the mast.

Refer to the Legend Wholesale guide for the appropriate template and raise the mast to the appropriate height.

Tighten the winch onto the mast.

ATTENTION

The template should rest between the outer mast bracket and the strap bracket as shown.



DUV 15/18TM TRAILER

Shoreland'r Trailer Install Guide
WB.DUV1518TMT.01



STEP 1

Locate the Jack & Dolly and organize the parts to begin installation onto the tongue.



STEP 2

Mount the Jack & Dolly onto the right side of the tongue and install using the supplied hardware.

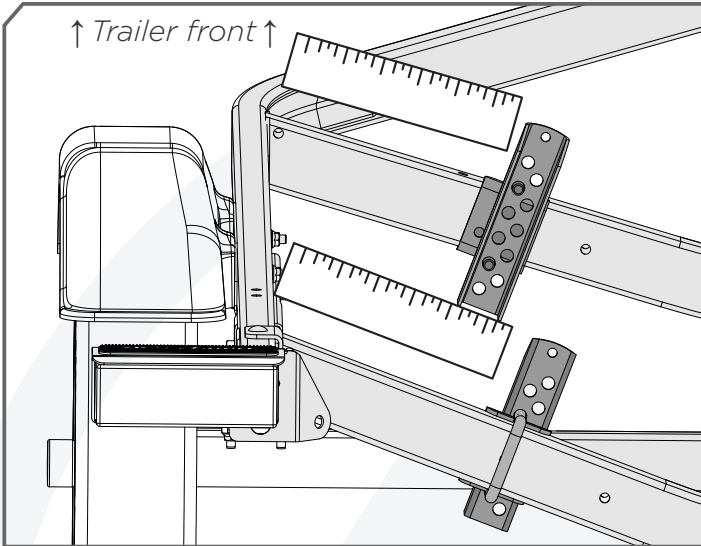
NOTE

Ensure the lower bolts are positioned in the correct hole based on the tongue height. The Jack & Dolly should not wobble after installing.



DUV 15/18TM TRAILER

Shoreland'r Trailer Install Guide
WB.DUV1518TMT.01



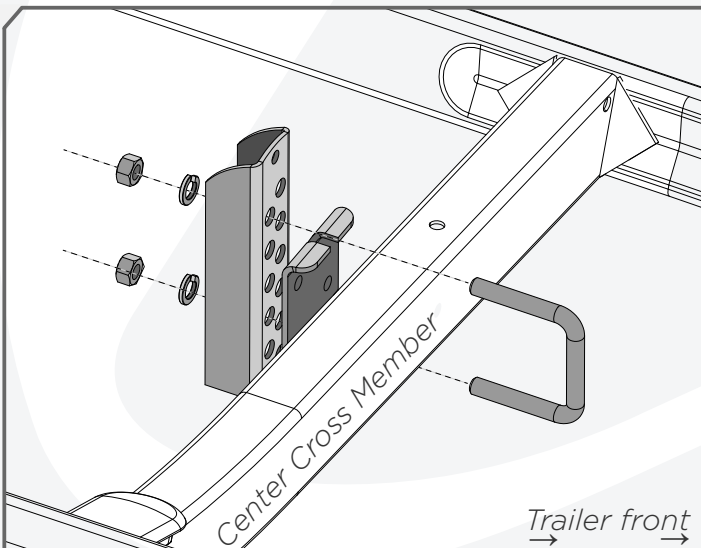
STEP 1

Locate the bunk brackets and supplied hardware.

Refer to the wholesale manual located in the workshop for all bracket hole mounting and distance locations.

NOTE

Ensure the brackets are oriented in the proper direction based on the manufacturers documents.

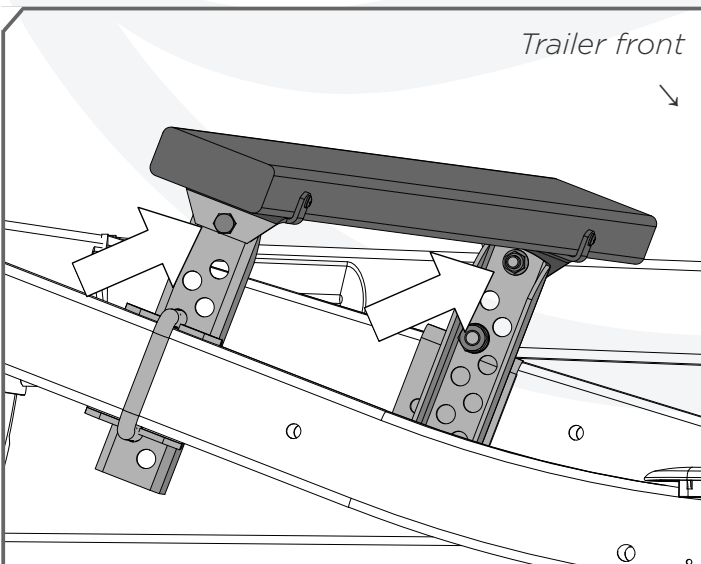


STEP 2

- Mount the front left and right bracket over the center cross member.
- Mount the rear left and right bracket over the back cross member.
- Install the brackets based on the hole call-outs and supplied hardware.

NOTE

Ensure the front U-bolts are pointing backwards and the back U-bolts are pointing forwards.



STEP 3

Install the carpeted bunks onto the brackets with the supplied hardware.

Ensure the tie down bracket is installed at the rear of the trailer.

NOTE

Do not over-tighten carpeted bunks.



DUV 15/18TM TRAILER

Shoreland'r Trailer Install Guide
WB.DUV1518TMT.01

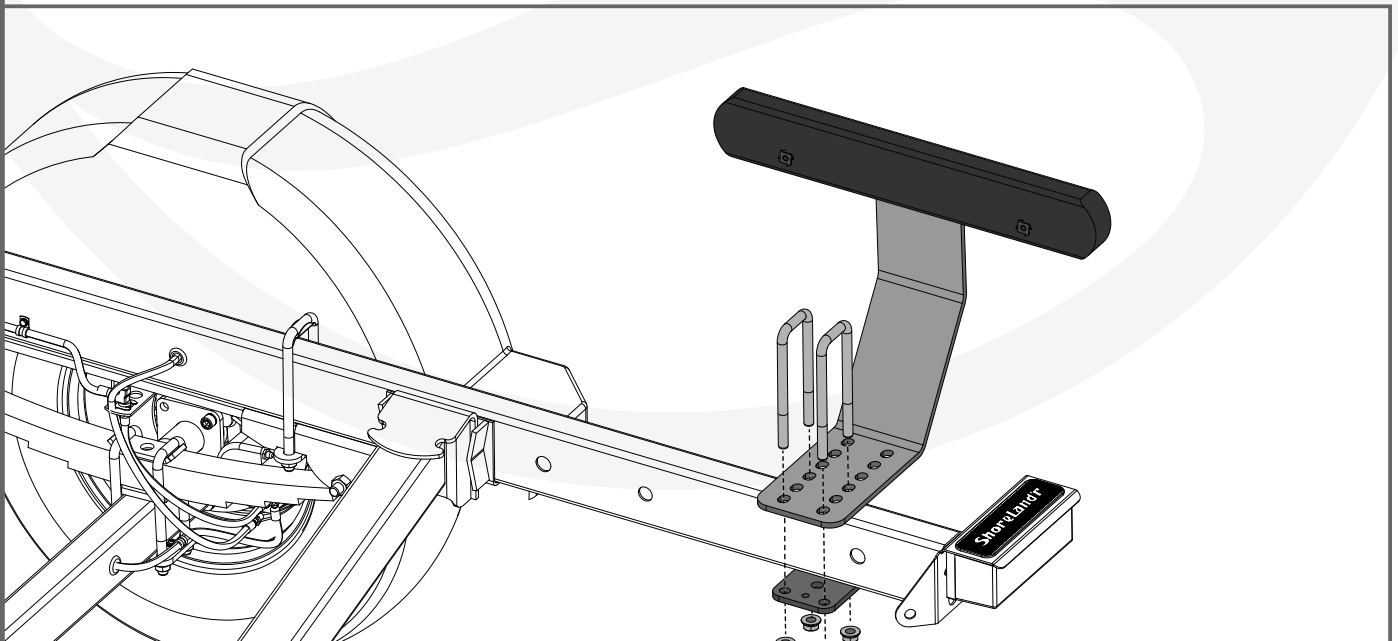
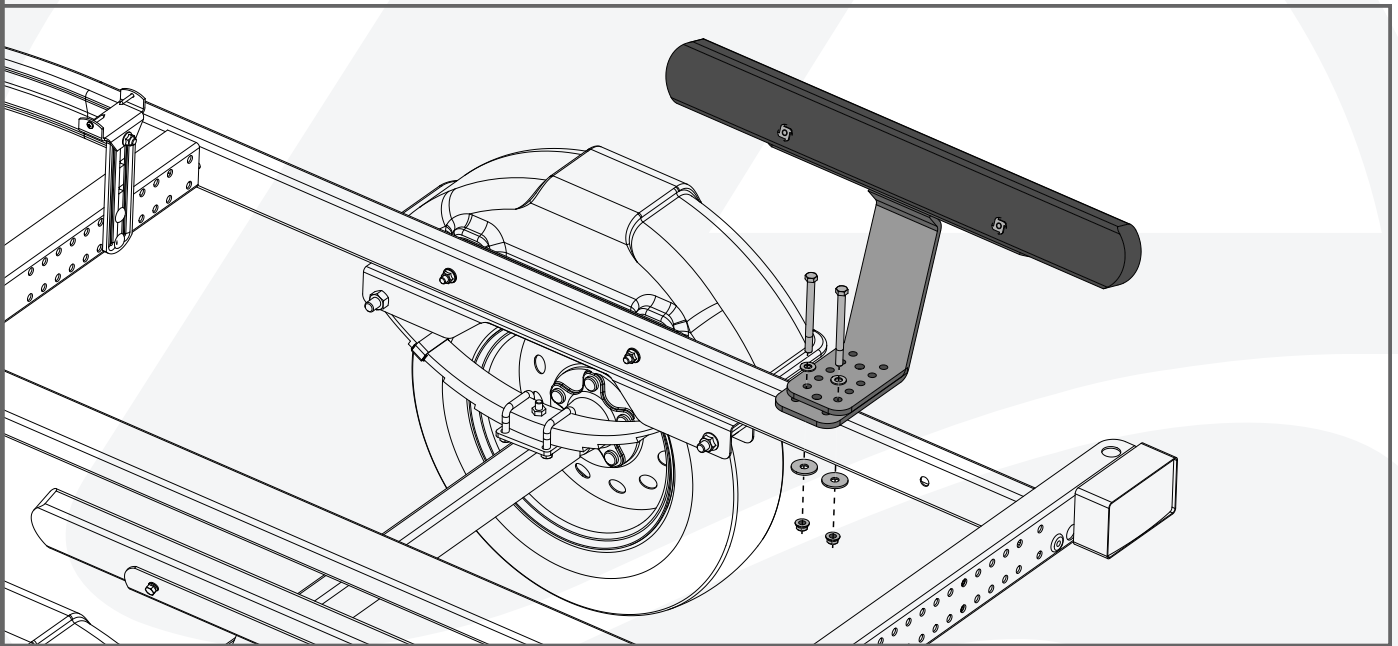
STEP 1

Locate the required hardware and Guide-On bunks to assemble onto the trailer frame. Install both guide-on bunks onto the trailer using the specified mounting holes and hardware.

NOTE

Mounting placement and hardware is trailer specific. Refer to the wholesale manual for mounting locations.

GUIDE-ON BUNKS





DUV 15/18TM TRAILER

Shoreland'r Trailer Install Guide
WB.DUV1518TMT.01

STEP 1

Referring to the Color Tag Chart, attach the applicable tag onto the winch post.



ID TAGGING