



DUB 46 TRAILER

Shoreland'r Trailer Install Guide
WB.DUB46T.01

NOTE

Riggers should be cautious assembling trailers and always use two people to move or rotate any heavy items. Your safety is our #1 priority. All Trailer models with brakes should refer to the separate wholesale "Brake Installation and Bleeding Guide."

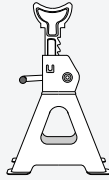
TOOLS REQUIRED



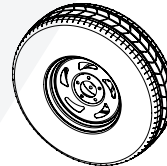
Safety Glasses



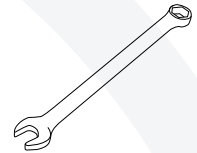
Hearing Protection



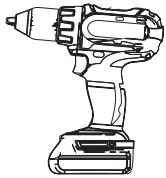
Jack Stands



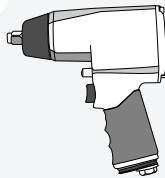
Tires



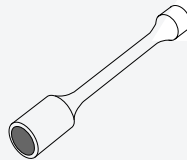
9/16" Wrench
13/16" Wrench
3/4" Wrench



Drill



Pneumatic Socket Wrench



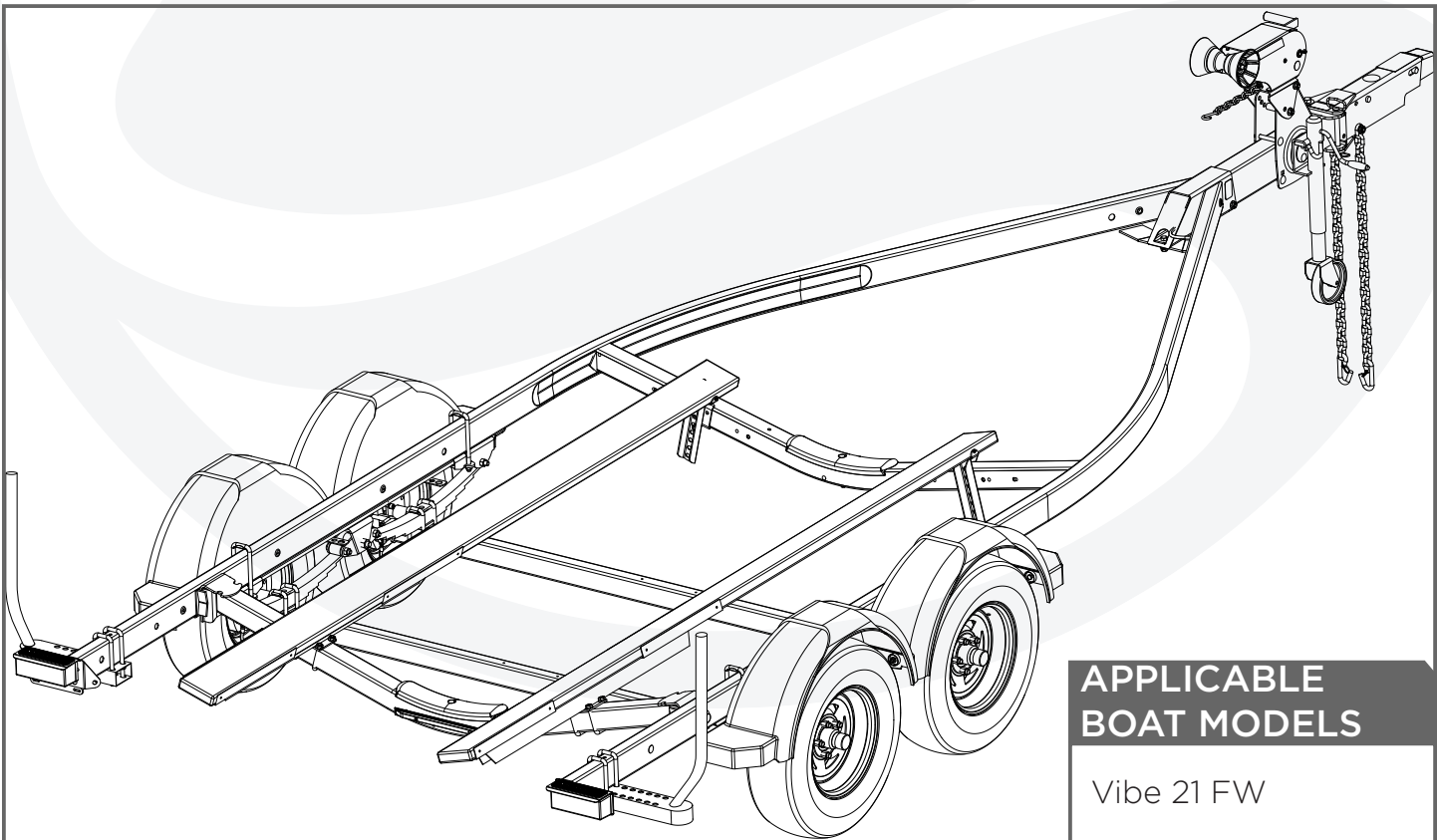
Torque Stick



Jack & Dolly



3/8" Socket
9/16" Socket
13/16" Socket
3/4" Socket
22mm Socket



APPLICABLE BOAT MODELS

Vibe 21 FW



DUB 46 TRAILER

Shoreland'r Trailer Install Guide
WB.DUB46T.01

INDEX

PREPARATION.....	3
LEAF SPRINGS.....	4
AXLE.....	5
TIRES.....	6
TONGUE TUBE.....	7
SAFETY CHAINS.....	9
WINCH POST.....	10
JACK & DOLLEY.....	12
BUNKS.....	13
LOAD GUIDE - SIDE POSTS.....	15
ID TAGGING.....	16
BRAKING SYSTEMS.....	17



DUB 46 TRAILER

Shoreland'r Trailer Install Guide
WB.DUB46T.01

PREPARATION

Remove all parts strapped onto the Trailer Frame and locate the hardware bag.



STEP 1

Referencing the manufacturers specifications on the trailer frame, locate the tires required.

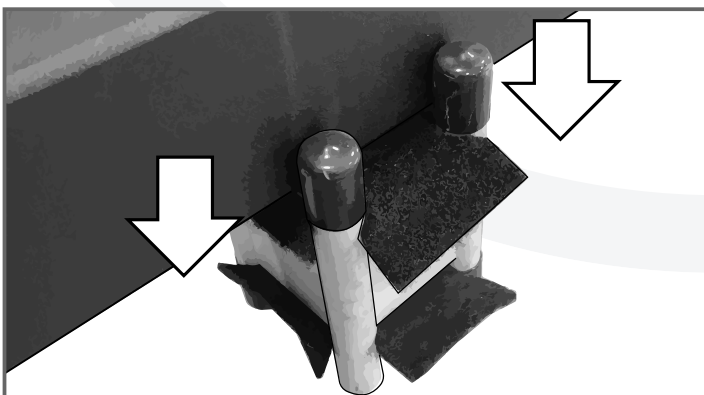
Match the tire code located on the face of the tire with the specified tire type.



STEP 2

Rig and hoist the trailer frame into the air.

Lower and rest the trailer frame onto the jack stands ensuring the jack stands are appropriately positioned.



STEP 3

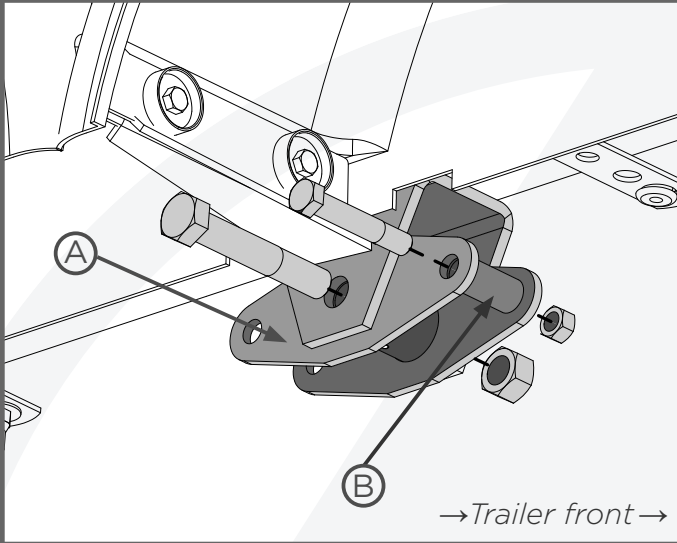
Remove the plastic spacers around the trailer and recycle accordingly.



DUB 46 TRAILER

Shoreland'r Trailer Install Guide
WB.DUB46T.01

LEAF SPRINGS

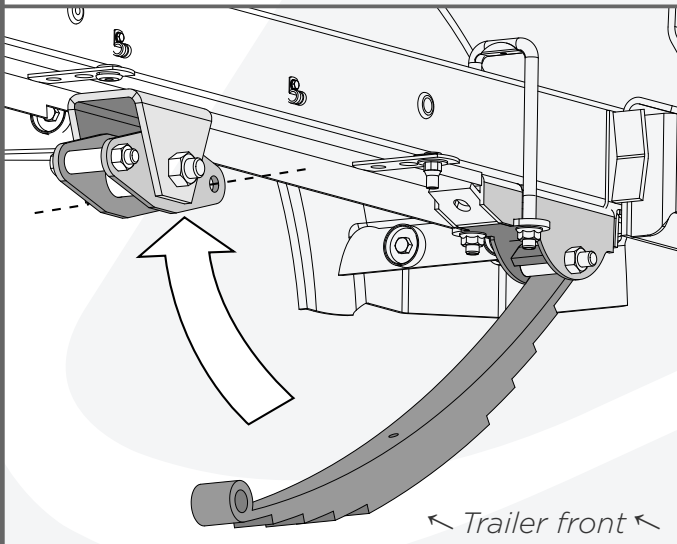


STEP 1

Mount the supplied middle bracket (A) onto the frame and bolt into the trailer frame.

Install the supplied spring bushings (B) into the front bracket holes and rear bunk bracket (not pictured).

Hand tighten with supplied nuts. Threads should rest on the inside of the trailer.



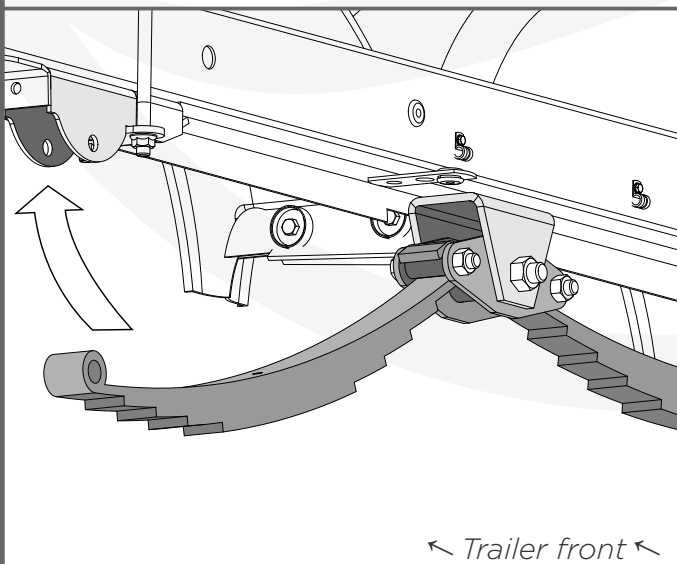
STEP 2

Hook the rear leaf spring onto the rear spring bushing spacer and thread the supplied bolt into the leaf spring through the middle bracket holes, locking it in place.

Hand tighten with supplied nut.

ATTENTION

The Leaf Spring should hook and rest on the rear bushing.



STEP 3

Hook the front spring onto the middle bushing spacer and thread the supplied bolt into the leaf spring through the front bracket, locking it in place.

Repeat to opposite side and tighten all hardware with a socket wrench.

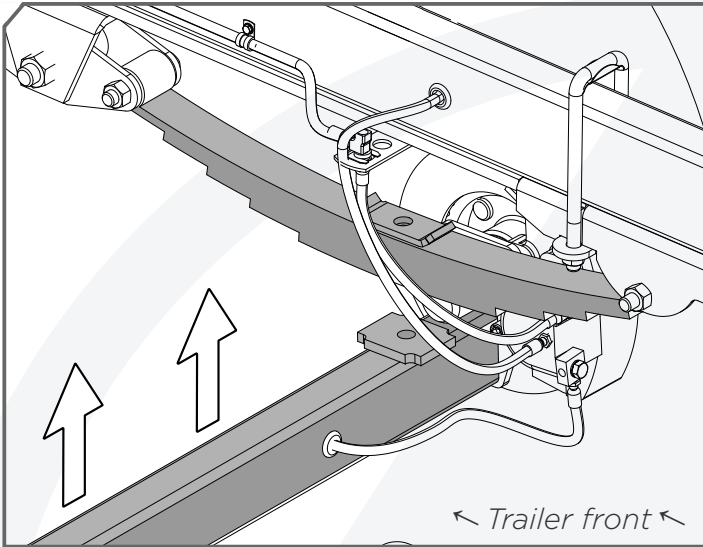
ATTENTION

The Leaf Spring should hook and rest on the rear bushing.



DUB 46 TRAILER

Shoreland'r Trailer Install Guide
WB.DUB46T.01



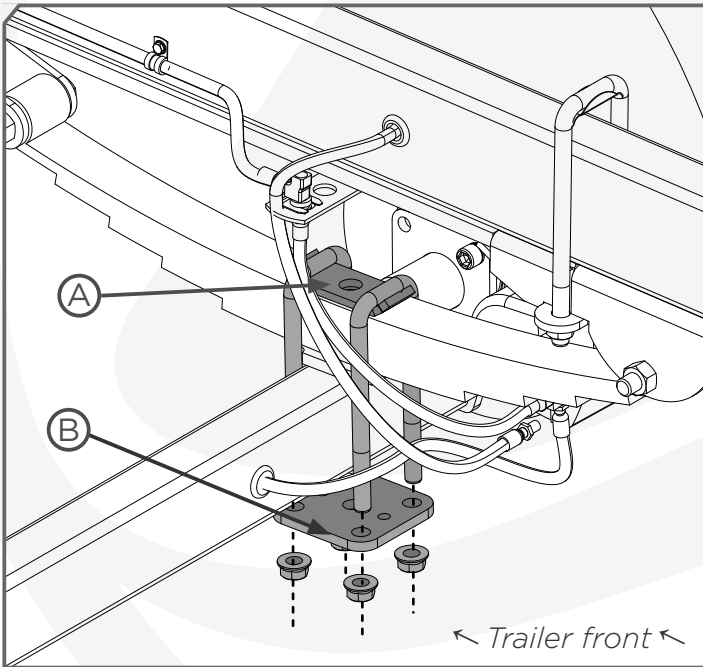
STEP 1

Lineup a jack stand beneath both rear leaf springs and lift the axle onto the jack stand.

Each axle contains the brake lines and should point towards the tail lights.

ATTENTION

Ensure proper lifting form when moving any heavy items. If you cannot safely move the axle, two riggers are required.



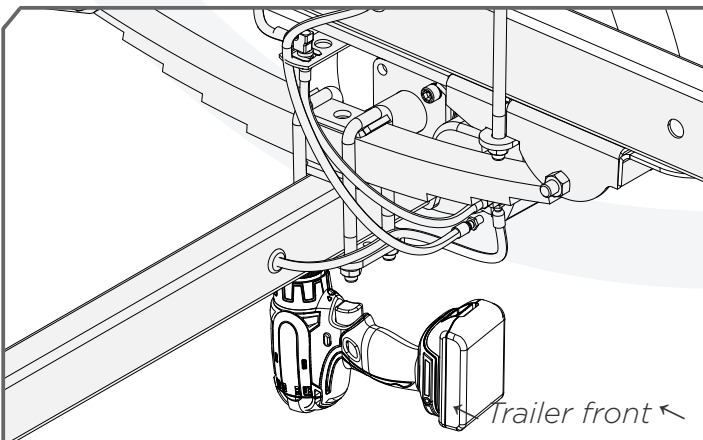
STEP 2

Raise the axle to the leaf spring and install the two U-Bolts over the leaf spring, spring clamp (A), and through the U-Bolt plate (B).

Hand tighten the supplied nuts and repeat to the opposite side.

ATTENTION

Ensure the Axle is properly centered in the middle of the leaf springs and the U-Bolts are resting on top of the spring clamp.



STEP 3

Using a drill, tighten the nuts securing the axle onto the Leaf Springs.

Repeat these steps for the front Axle.

ATTENTION

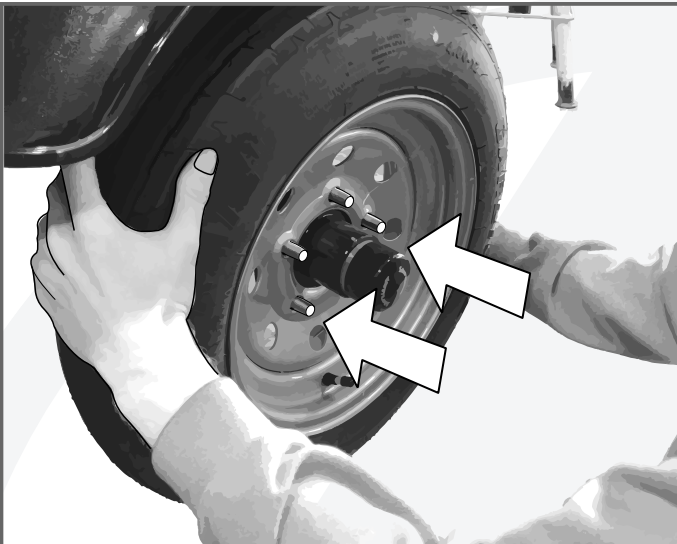
Do not over tighten the bolts on the axle.



DUB 46 TRAILER

Shoreland'r Trailer Install Guide
WB.DUB46T.01

TIRES



STEP 1

Locate the tires as specified on the trailer frame specifications sticker and mount the tire onto the axle, aligning the lug nuts with the holes in the rim.

ATTENTION

Ensure the tire is mounted properly by confirming the valve stem is facing outwards.

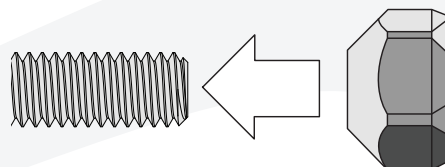


STEP 2

Loosely install the supplied Lug Nuts onto the lug bolts. Ensure the tapered end of the lug nut points inward.

ATTENTION

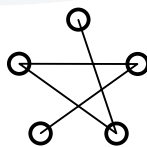
Ensure the tapered end points inward.



STEP 3

Using a pneumatic drill tighten the nuts in a star pattern, securing the tire onto the axle.

When the trailer is lowered to the ground, tighten the lug nuts with a torque bar to 90lbs.



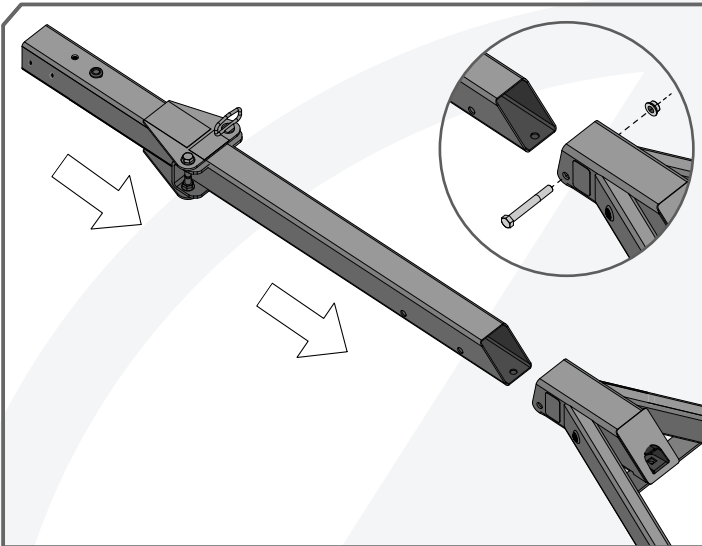
ATTENTION

Use a torque bar rated to 90lbs to tighten the lug nuts in a star pattern.



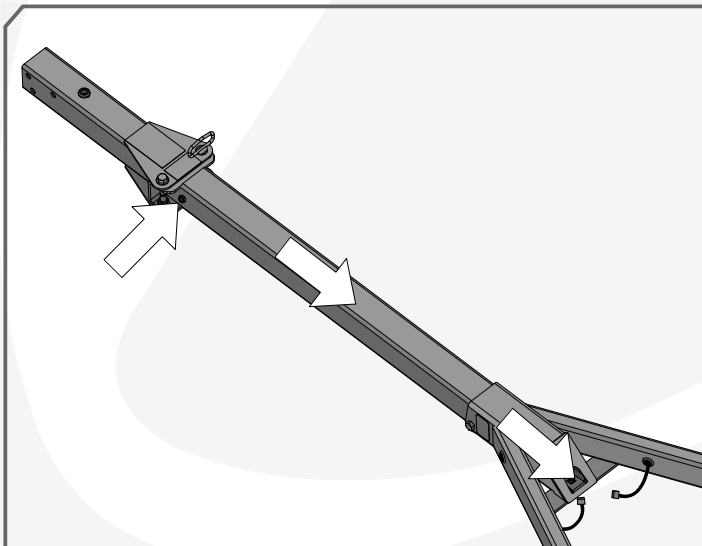
DUB 46 TRAILER

Shoreland'r Trailer Install Guide
WB.DUB46T.01



STEP 1

Insert the tongue assembly through the front channel of the frame.
Install the tongue into the frame with the supplied hardware, do not install the vertical bolt.

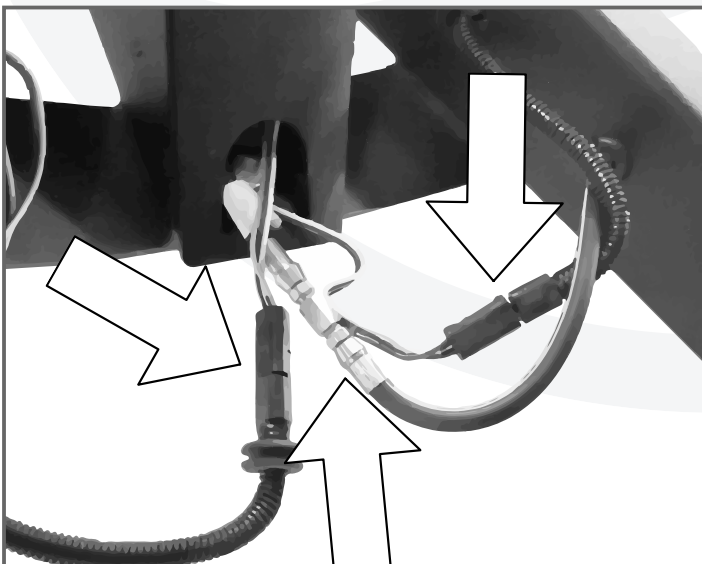


STEP 2

Locate and insert the trailer wire harness into the hole at the side of the tongue. Thread the wiring out the rear of the tongue.

NOTE

Opening the swing tongue can assist in threading the wiring. Do not pinch the wiring when closing the swing tongue.



STEP 3

Connect the rear tongue wire harness plugs to the trailer harness by matching plugs.
Connect the brake line routed through the tongue into the trailer brake line.

ATTENTION

Ensure all bolts are properly tightened and no excess wiring is exposed.

TONGUE TUBE

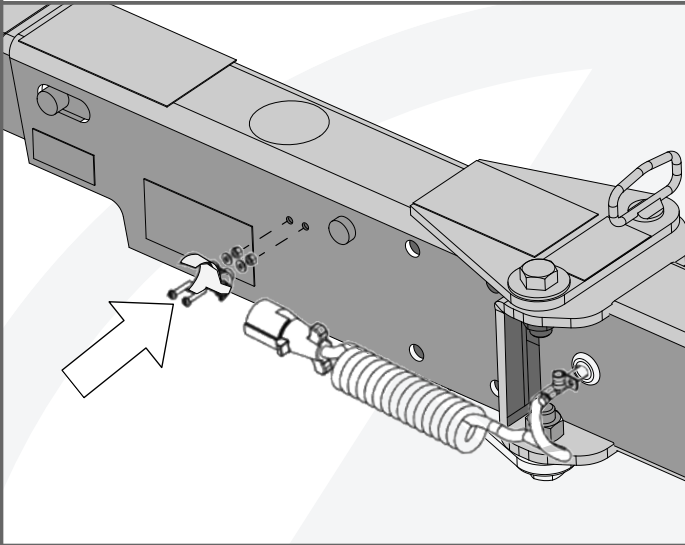


DUB 46 TRAILER

Shoreland'r Trailer Install Guide
WB.DUB46T.01

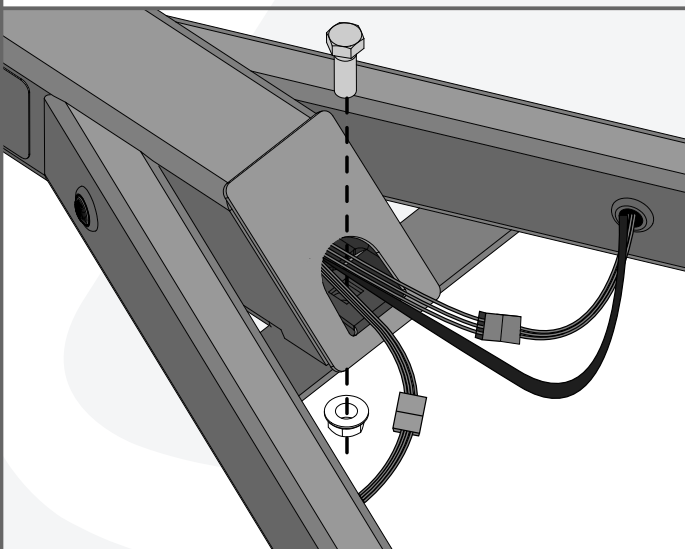
STEP 4

Install the plug retainer onto the tongue using the supplied hardware.
Mount the 7-pin plug onto the retainer.



STEP 5

Install the vertical bolt through the trailer frame and tongue using the supplied hardware.
Hide any excess wiring/tubing inside the tongue tube.



TONGUE TUBE

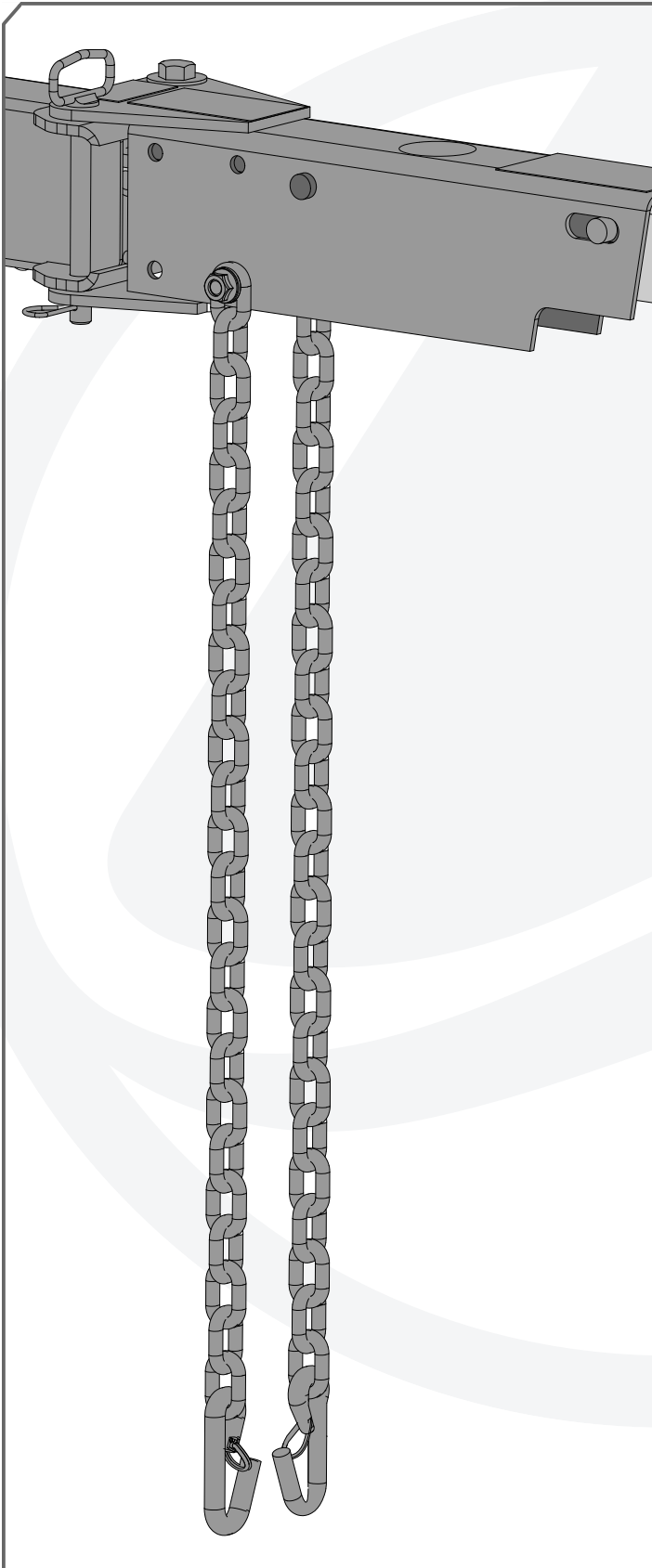
ATTENTION

Ensure all bolts are properly tightened and no excess wiring is exposed.



DUB 46 TRAILER

Shoreland'r Trailer Install Guide
WB.DUB46T.01



STEP 1

Locate the safety chains and install them onto the tongue tube using the supplied hardware.

NOTE

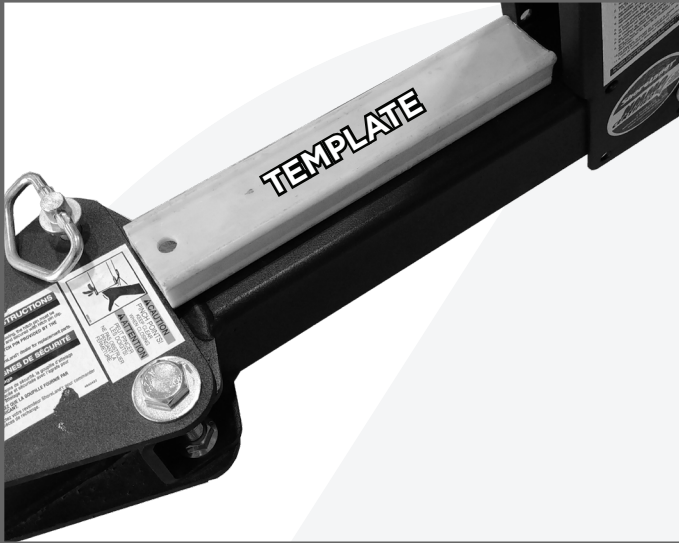
Reference the supplier manual for exact mounting location and hardware call-outs.



DUB 46 TRAILER

Shoreland'r Trailer Install Guide
WB.DUB46T.01

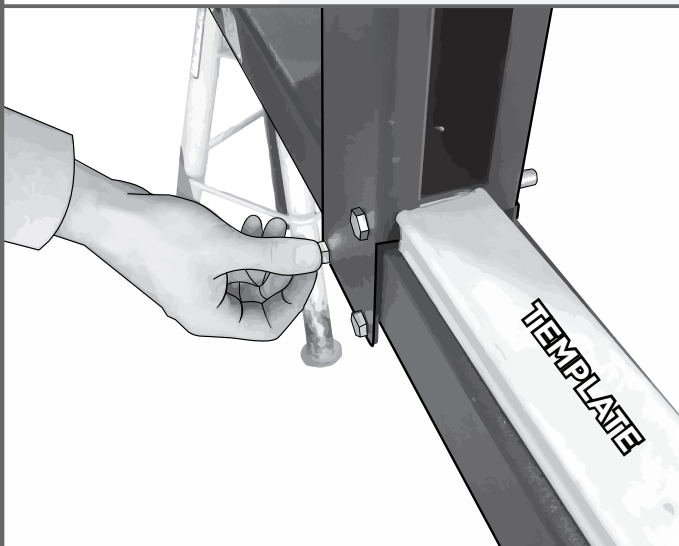
WINCH POST



STEP 1

Locate and mount the winch post assembly onto the tongue.

The winch post location is boat specific. Refer to the Legend wholesale guide for the mounting position and locate the template in the workshop.

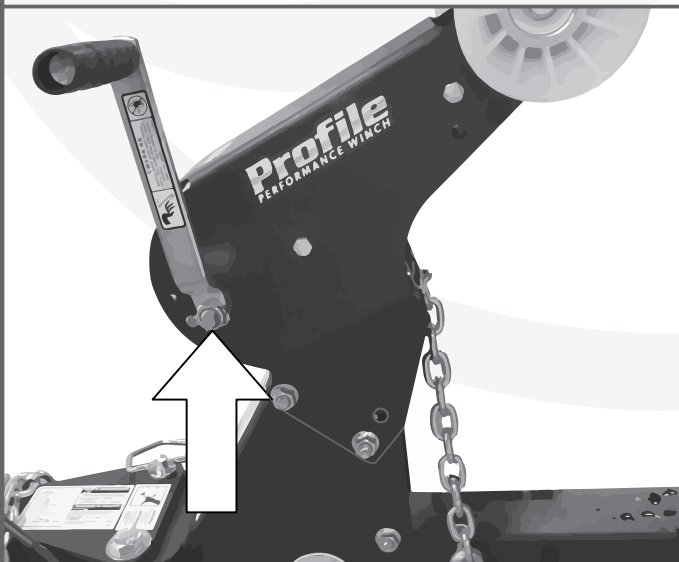


STEP 2

Install the winch post onto the tongue using the supplied hardware and template.

ATTENTION

Ensure the bolts are properly tightened using a socket drill and wrench.



STEP 3

Install the winch handle onto the drive shaft of the winch, secure using the supplied hardware.



DUB 46 TRAILER

Shoreland'r Trailer Install Guide
WB.DUB46T.01



STEP 4

The Roller location is boat dependent, refer to the Legend Wholesale guide for the hole location and adjust the mast to the appropriate hole.

Tighten all hardware using a socket drill and wrench.



DUB 46 TRAILER

Shoreland'r Trailer Install Guide
WB.DUB46T.01



STEP 1

Locate the Jack & Dolly and organize the parts to begin installation onto the tongue.



JACK & DOLLY

STEP 2

Mount the Jack & Dolly onto the right side of the tongue and install using the supplied hardware.

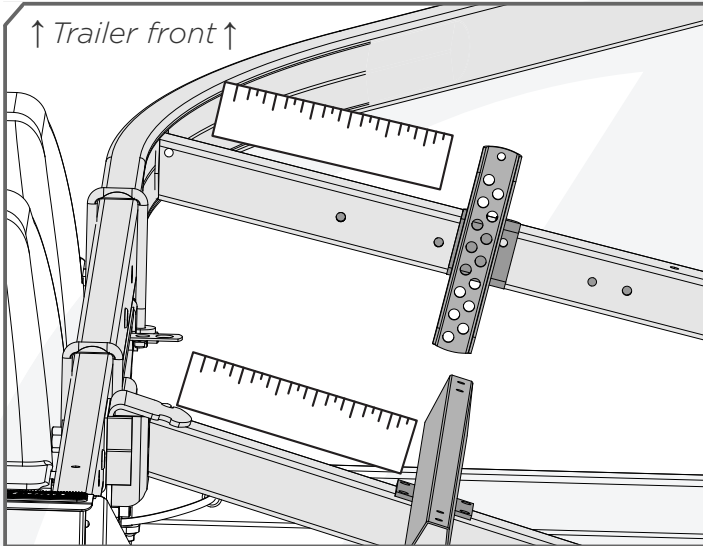
NOTE

Ensure the lower bolts are positioned in the correct hole based on the tongue height. The Jack & Dolly should not wobble after installing.



DUB 46 TRAILER

Shoreland'r Trailer Install Guide
WB.DUB46T.01



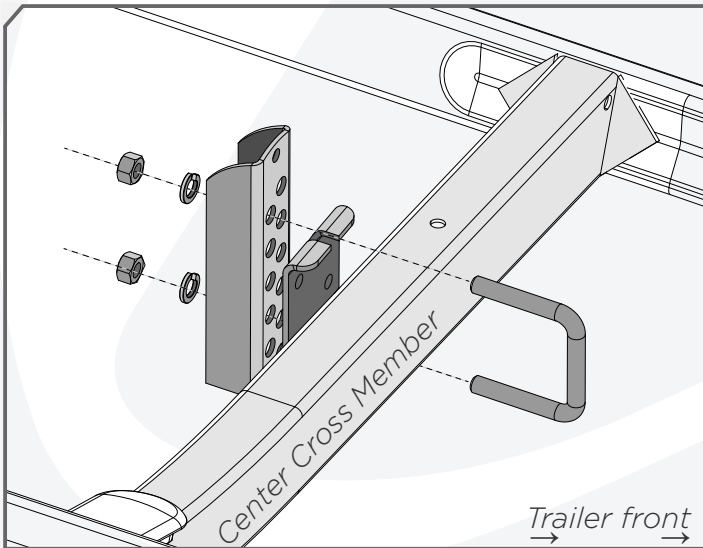
STEP 1

Locate the bunk brackets and supplied hardware.

Refer to the Legend wholesale guide located in the workshop for all bracket hole mounting and distance locations.

NOTE

Ensure the brackets are oriented in the proper direction based on the manufacturers documents.

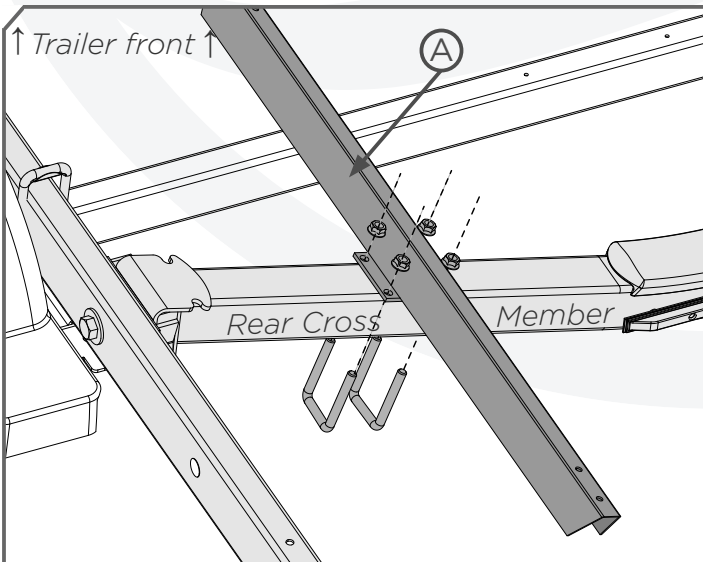


STEP 2

- Mount the front left and right brackets over the center cross member.
- Install the brackets based on the hole call-outs and supplied hardware.

NOTE

Ensure the front U-bolts are pointing backwards



STEP 3

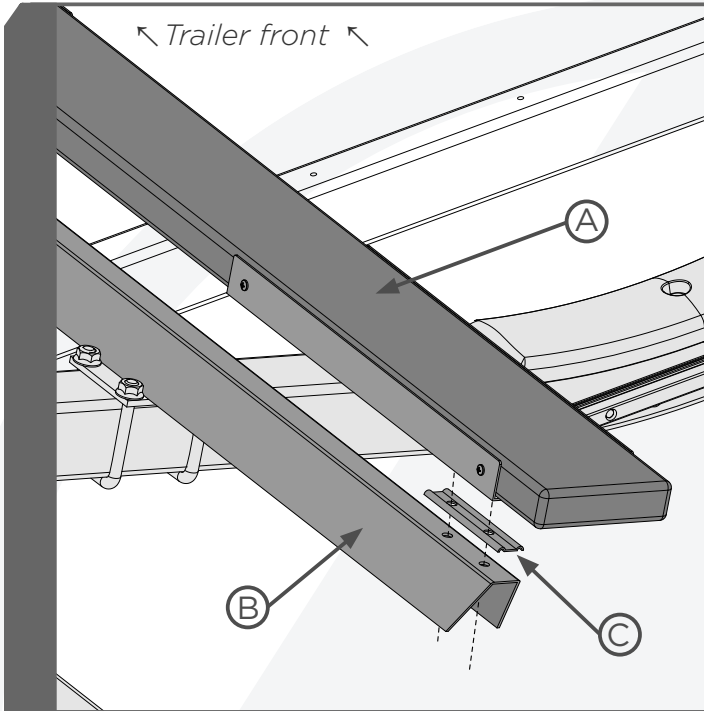
- Mount the rear left and right bunk assembly (A) over the rear cross member.
- Install the assemblies based on the specified measurement and supplied hardware.

Tighten all hardware using a socket drill. Do not overtighten.



DUB 46 TRAILER

Shoreland'r Trailer Install Guide
WB.DUB46T.01



STEP 4

Install the carpeted bunks (A) with brackets into the bunk assembly (B) using the supplied hardware. Ensure the support pivot (C) is threaded between the bunk bracket and assembly.

BUNKS



DUB 46 TRAILER

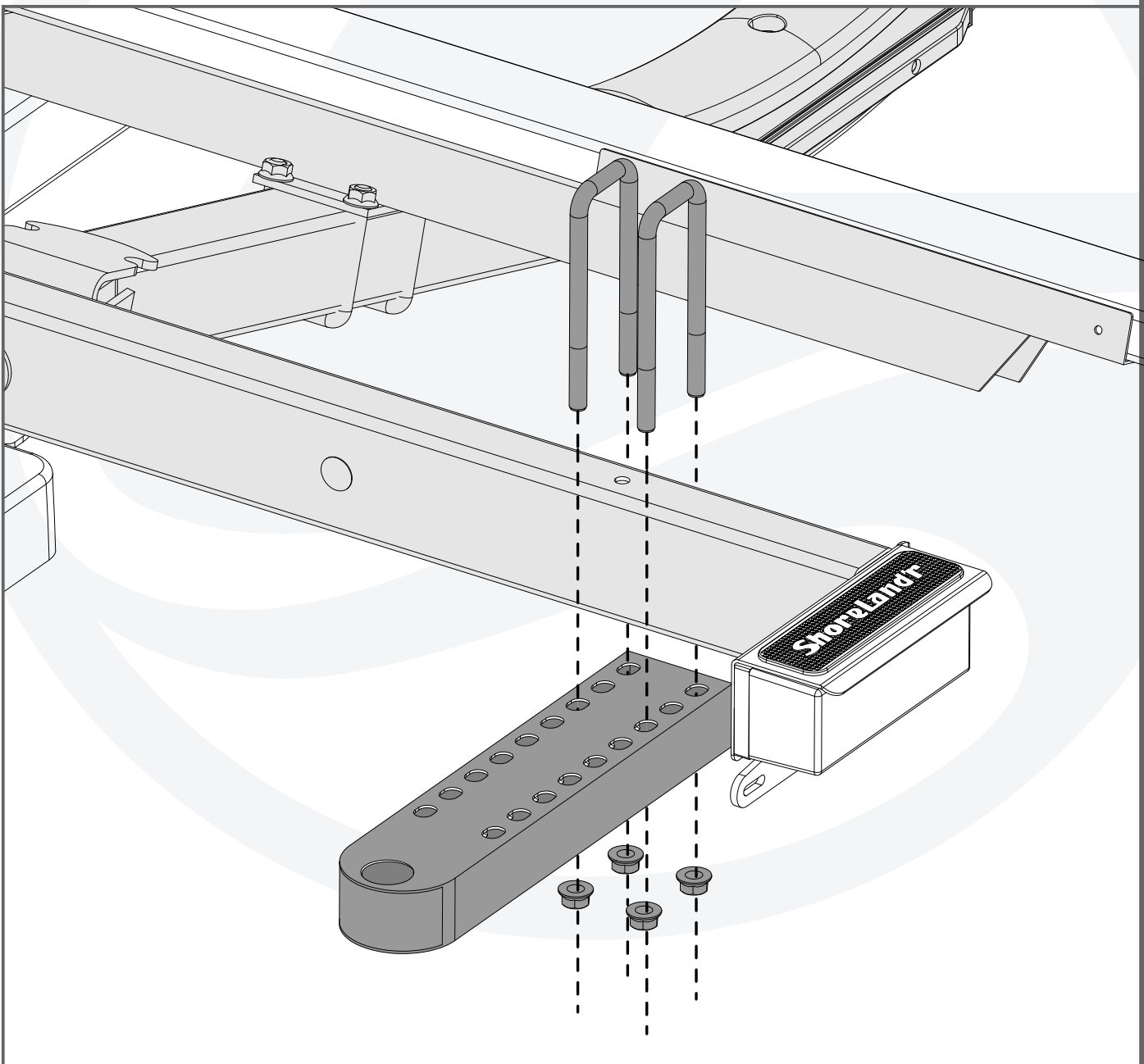
Shoreland'r Trailer Install Guide
WB.DUB46T.01

STEP 1

Locate the required hardware and load guide side posts with brackets to assemble onto the trailer frame. Install both brackets onto the trailer using the specified mounting holes and hardware. Mount the vertical side posts into the brackets.

NOTE

Mounting placement and hardware is trailer specific. Refer to the wholesale manual for mounting locations.



LOAD GUIDE - SIDE POST



DUB 46 TRAILER

Shoreland'r Trailer Install Guide
WB.DUB46T.01

STEP 1

Referring to the Color Tag Chart, attach the applicable tag onto the winch post.

ID TAGGING





DUB 46 TRAILER

Shoreland'r Trailer Install Guide
WB.DUB46T.01

STEP 1

Refer to the “Brake Installation and Bleeding Guide” on how to properly install and bleed a braking system for each specific trailer.

A large, stylized octagonal sign with a thick black border and the word "STOP" in bold, black, sans-serif capital letters in the center. The sign is set against a background of light gray, wavy, abstract shapes.

STOP