



DUB 12TS/TM TRAILER

Shoreland'r Trailer Install Guide
WB.12TSTMT.01

NOTE

Riggers should be cautious assembling trailers and always use two people to move or rotate any heavy items. Your safety is our #1 priority.

TOOLS REQUIRED



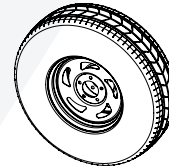
Safety Glasses



Hearing Protection



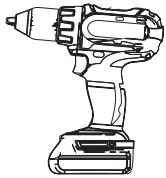
Jack Stands



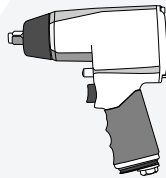
Tires



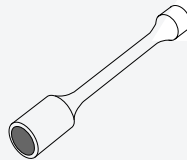
9/16" Wrench
13/16" Wrench
3/4" Wrench



Drill



Pneumatic Socket Wrench



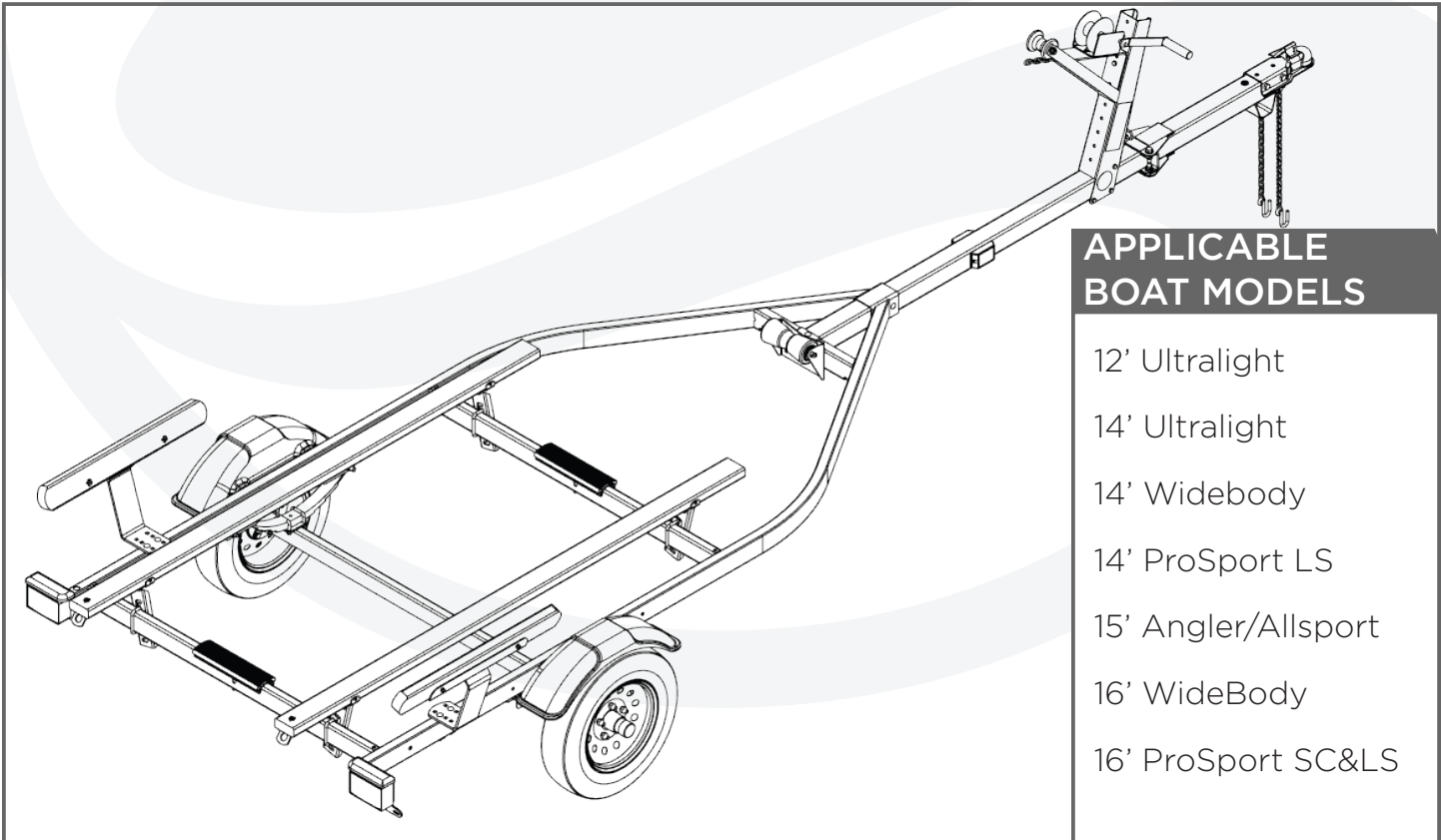
Torque Stick



Jack & Dolly



3/8" Socket
9/16" Socket
13/16" Socket
3/4" Socket
22mm Socket



APPLICABLE BOAT MODELS

- 12' Ultralight
- 14' Ultralight
- 14' Widebody
- 14' ProSport LS
- 15' Angler/Allsport
- 16' WideBody
- 16' ProSport SC&LS



DUB 12TS/TM TRAILER

Shoreland'r Trailer Install Guide
WB.12TSTMT.01

INDEX

PREPARATION.....	3
LEAF SPRINGS.....	4
AXLE.....	5
TIRES.....	6
TONGUE TUBE.....	7
SAFETY CHAINS.....	10
TONGUE STAND.....	11
WINCH.....	12
KEEL ROLLER.....	13
JACK & DOLLEY.....	14
BUNKS.....	15
GUIDE-ON BUNKS.....	16
LICENSE BRACKET.....	17
ID TAGGING.....	18



DUB 12TS/TM TRAILER

Shoreland'r Trailer Install Guide
WB.12TSTMT.01

PREPARATION

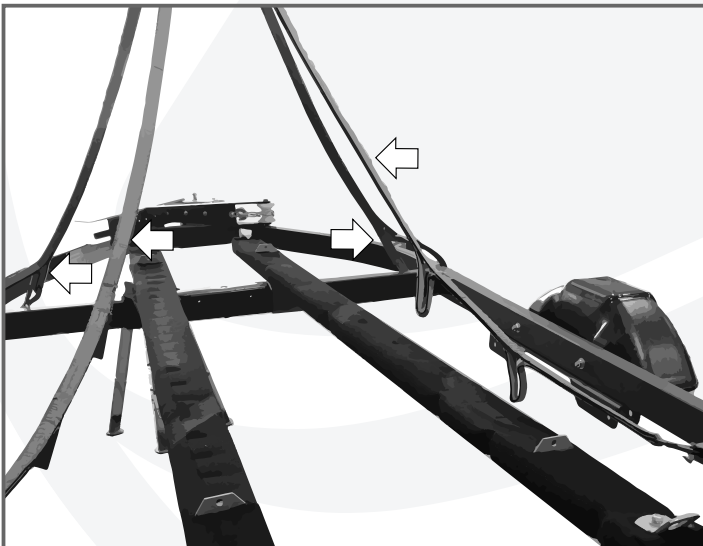
Remove all parts strapped onto the Trailer Frame and locate the hardware bag.



STEP 1

Referencing the manufacturers specifications on the trailer frame, locate the tires required.

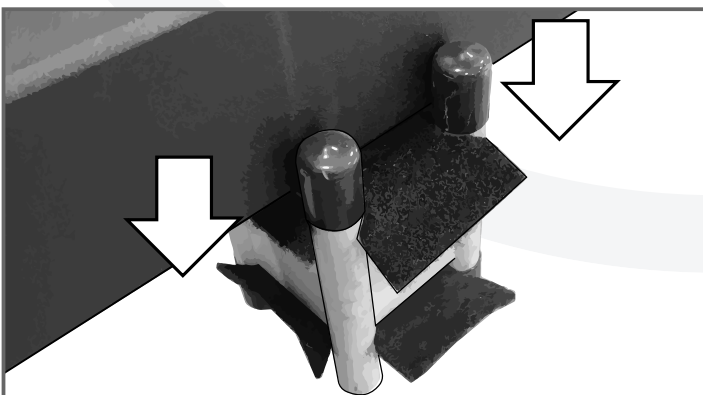
Match the tire code located on the face of the tire with the specified tire type.



STEP 2

Rig and hoist the trailer frame into the air.

Lower and rest the trailer frame onto the jack stands ensuring the jack stands are appropriately positioned.



STEP 3

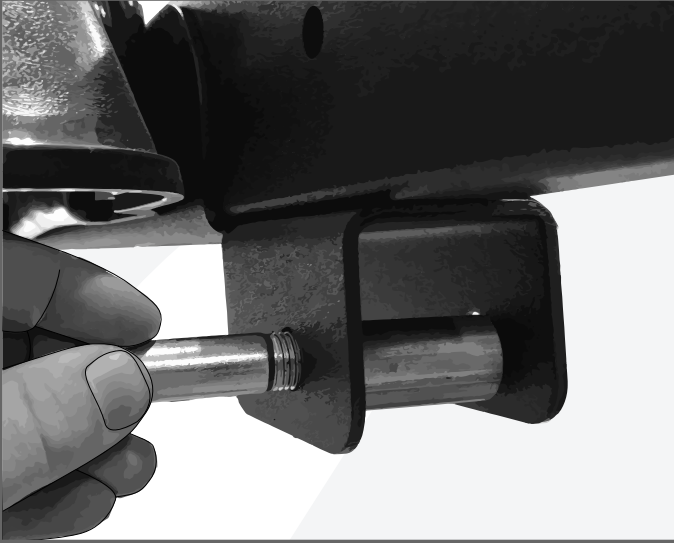
Remove the plastic spacers around the trailer and recycle accordingly.



DUB 12TS/TM TRAILER

Shoreland'r Trailer Install Guide
WB.12TSTMT.01

LEAF SPRINGS



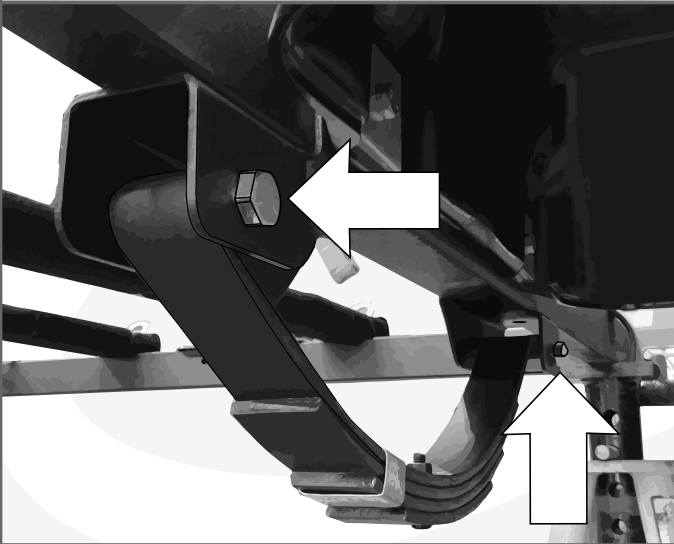
STEP 1

Mount the supplied spring bushing spacer and bolt into the rear leaf spring brackets of the Trailer.

Hand tighten with supplied nuts. Threads should rest on the inside of the trailer.

ATTENTION

The Leaf Spring should hook and rest on the rear bushing.



STEP 2

Hook the leaf spring onto the rear bushing spacer and thread the supplied bolt into the leaf spring through the front bracket, locking it in place.

Hand tighten with supplied nut.

ATTENTION

The Leaf Spring should hook and rest on the rear bushing.



STEP 3

Using a wrench and pneumatic drill, tighten the leaf springs onto the trailer frame.

ATTENTION

Do not over tighten the bolts on the frame.



DUB 12TS/TM TRAILER

Shoreland'r Trailer Install Guide
WB.12TSTMT.01

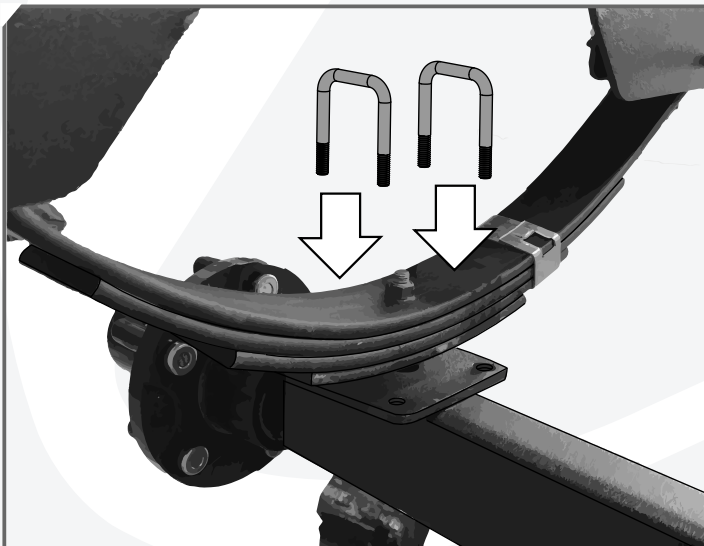


STEP 1

Lineup a jack stand beneath both leaf springs and lift the Axle onto the jack stand.

ATTENTION

Ensure proper lifting form when moving any heavy items. If you cannot safely move the axle, two riggers are required.



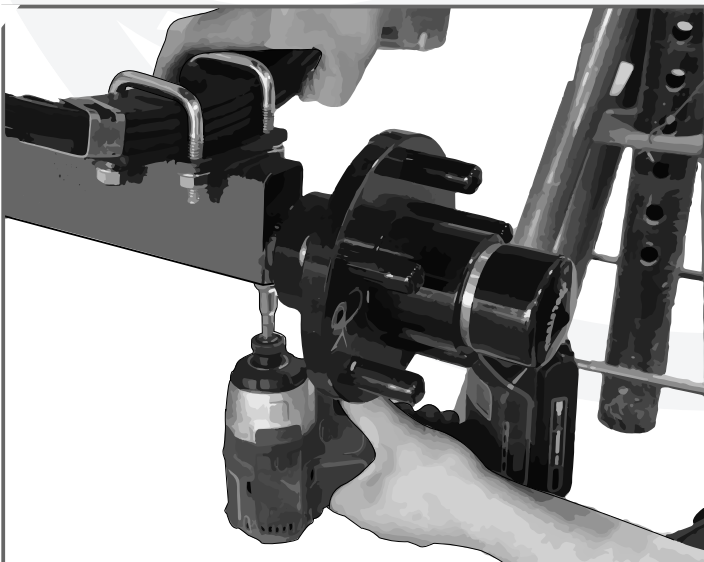
STEP 2

Raise the axle to the leaf spring and install the two U-Bolts over the leaf spring and into the axle.

Hand tighten the supplied nuts and repeat to the opposite side.

ATTENTION

Ensure the Axle is properly centered in the middle of the leaf springs.



STEP 3

Using a drill, tighten the nuts securing the axle onto the Leaf Springs.

ATTENTION

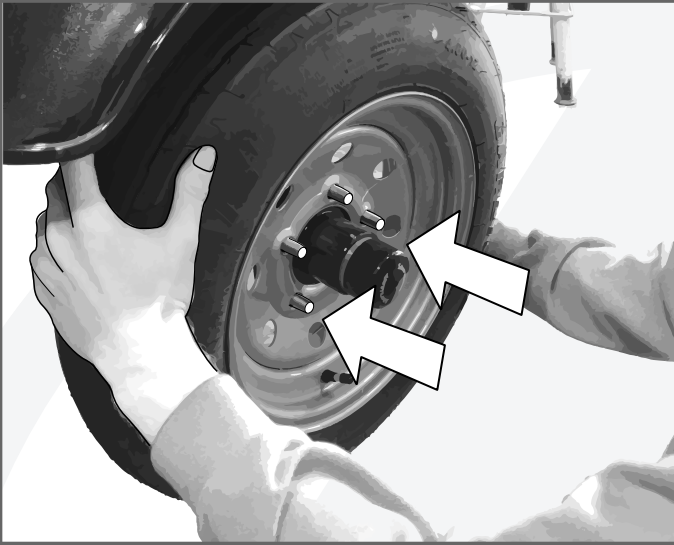
Do not over tighten the bolts on the axle.



DUB 12TS/TM TRAILER

Shoreland'r Trailer Install Guide
WB.12TSTMT.01

TIRES



STEP 1

Locate the tires as specified on the trailer frame specifications sticker and mount the tire onto the axle, aligning the lug nuts with the holes in the rim.

ATTENTION

Ensure the tire is mounted properly by confirming the valve stem is facing outwards.

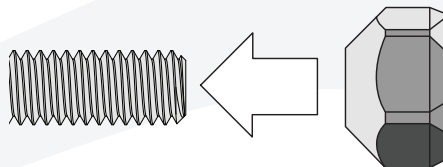


STEP 2

Loosely install the supplied Lug Nuts onto the lug bolts. Ensure the tapered end of the lug nut points inward.

ATTENTION

Ensure the tapered end points inward.

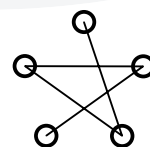


STEP 3

Using a pneumatic drill tighten the nuts in a star pattern, securing the tire onto the axle. Do not over-tighten.

When the trailer is lowered to the ground, tighten the lug nuts with a torque bar to 90lbs.

ATTENTION

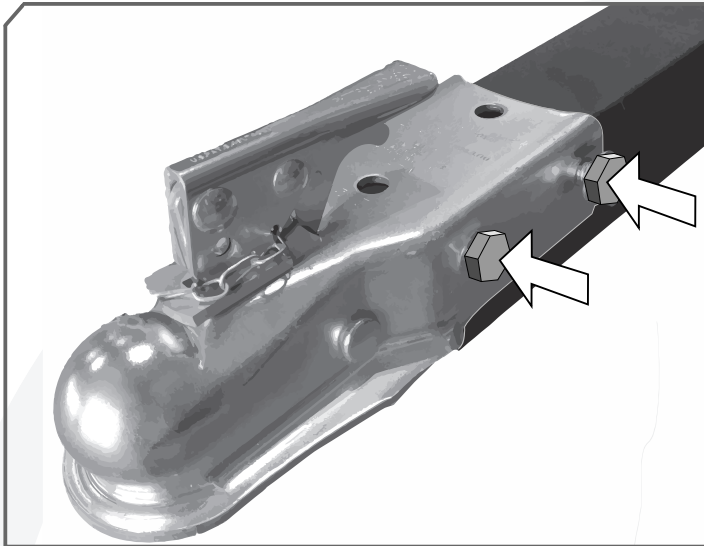


Use a torque bar rated to 90lbs to tighten the lug nuts in a star pattern.



DUB 12TS/TM TRAILER

Shoreland'r Trailer Install Guide
WB.12TSTMT.01



STEP 1

Locate the proper tongue for the trailer based on the Legend wholesale guide and using the supplied hardware install the coupler onto the front of the tongue.

ATTENTION

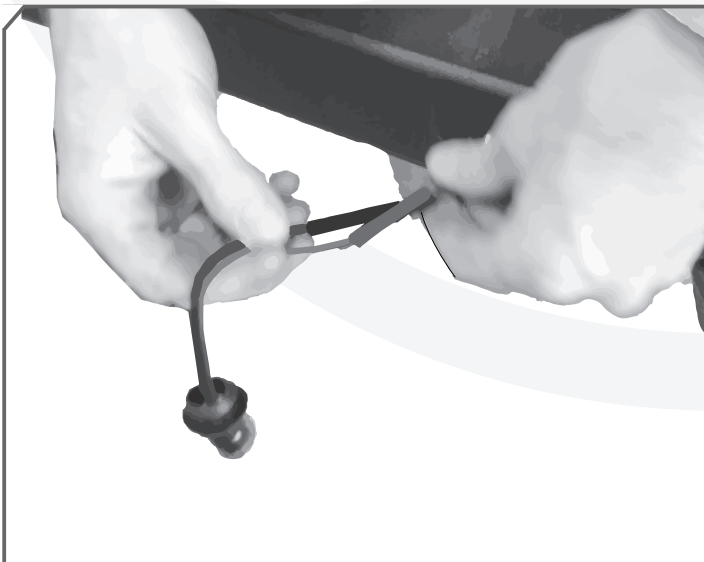
Refer to the Legend Wholesale Guide for the proper tongue.



STEP 2

Locate and insert the end of the tongue wire harness with the small plug into the hole at the top of the tongue. Pull the wire through the rear of the tongue.

Pull the two single bullet wires in the middle of the tongue through the circular cutout on the sides, these are for the side marker lights.



STEP 3

Locate the two supplied side marker lights. Uncoil the wire and connect the side marker lights to the single bullet wires of the tongue wire harness.

Install the side marker lights into the tongue tube.

NOTE

Ensure no excess wires is hanging out the side marker light locations and the light is properly seated in the tongue.

TONGUE TUBE



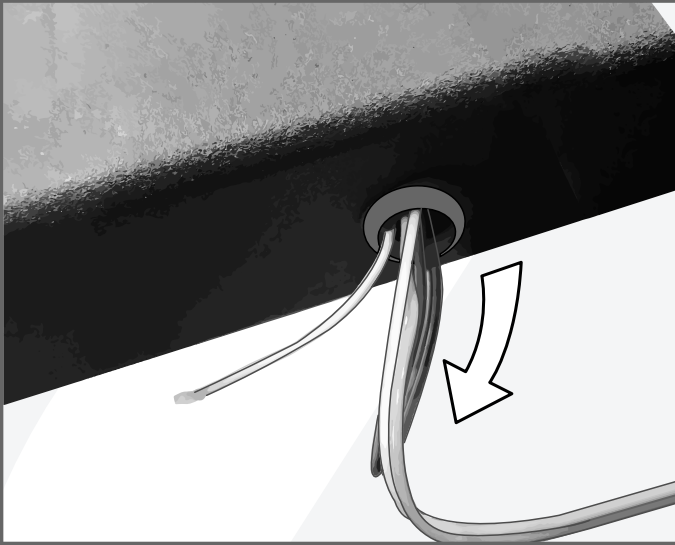
DUB 12TS/TM TRAILER

Shoreland'r Trailer Install Guide
WB.12TSTMT.01

STEP 4

Route the rear tongue wire harness through the hole cutout on the side of the tongue.

Route both the plug and white ground wire through the hole cutout on the side of the tongue.



STEP 5

Insert the tongue assembly through the front channel of the frame.

ATTENTION

Ensure the back of the tongue assembly is resting in the channel of the front cross member.

TONGUE TUBE

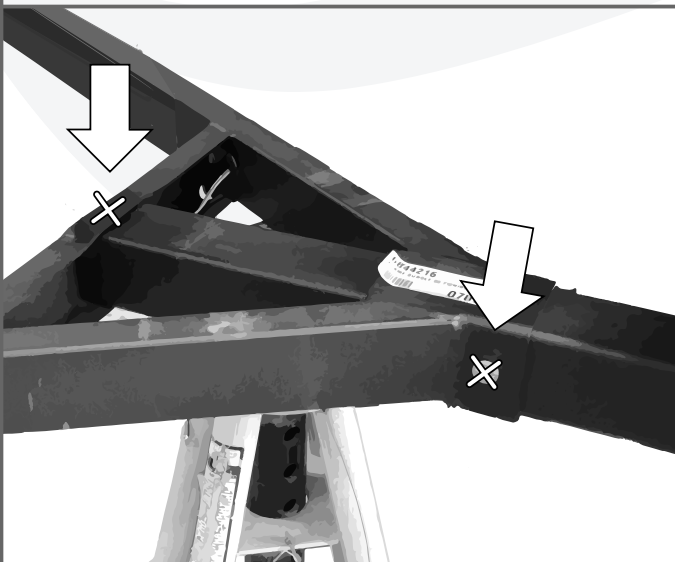


STEP 6

Mount the tongue assembly to the trailer frame using the supplied hardware.

ATTENTION

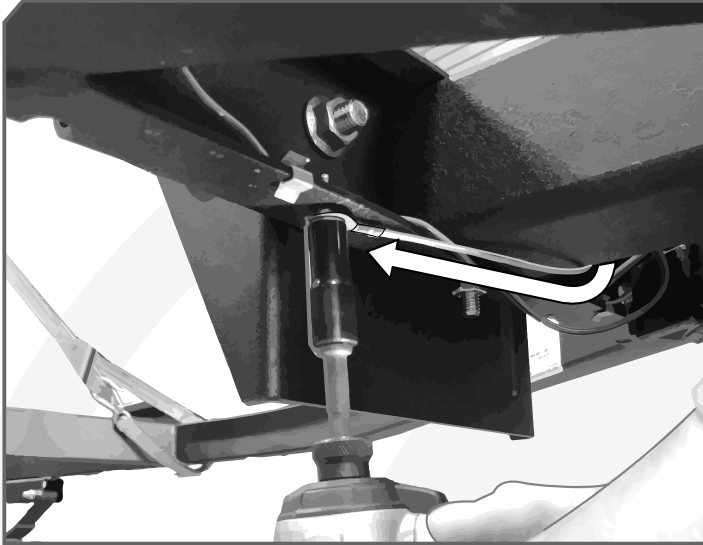
Ensure no wires are pinched in the frame prior to bolting the tongue to the trailer frame.





DUB 12TS/TM TRAILER

Shoreland'r Trailer Install Guide
WB.12TSTMT.01



STEP 7

At the rear of the tongue, connect the tongue wire harness to the trailer harness by matching plugs.

Install the white ground wire to the frame using the supplied hardware, grounding the white wire into the frame.

Hide any excess wiring in the tongue tube and insert wire grommets into the holes accessed by the wire harness.



DUB 12TS/TM TRAILER

Shoreland'r Trailer Install Guide
WB.12TSTMT.01

STEP 1

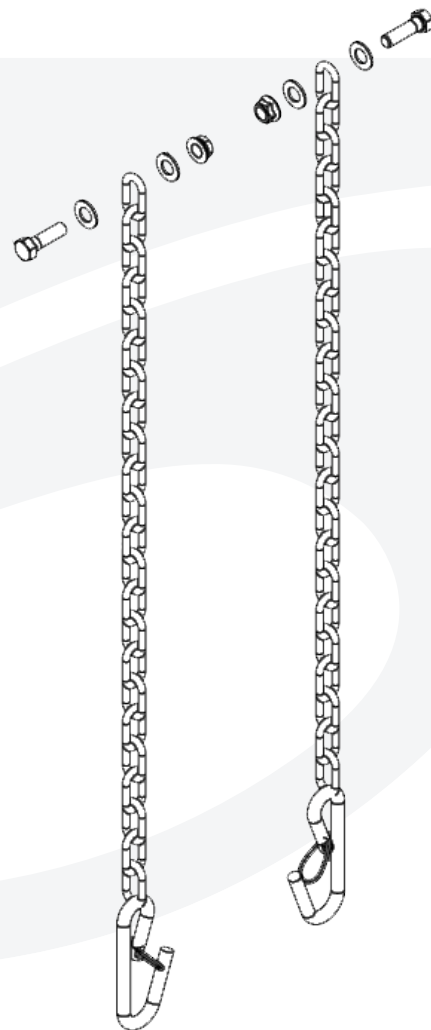
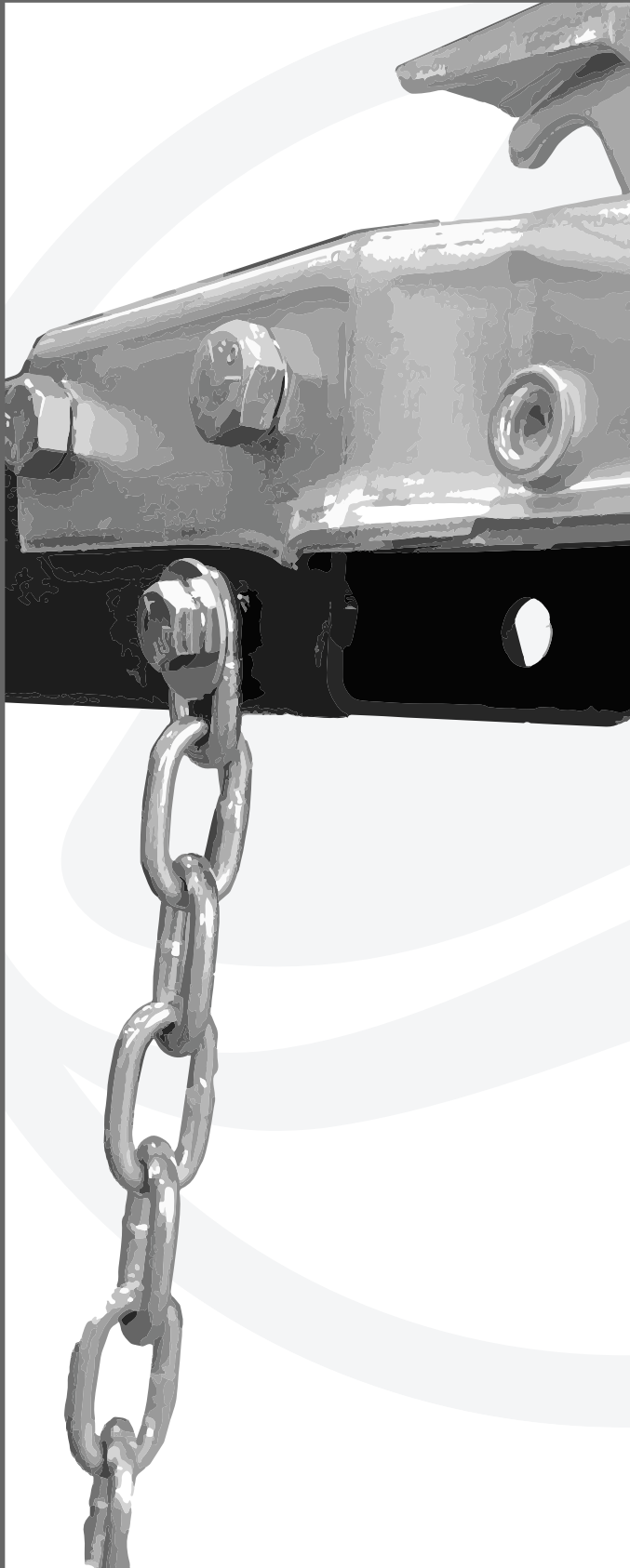
Locate the safety chains and install them onto the tongue tube using the supplied hardware.

Repeat to the opposite side.

NOTE

Reference the supplier manual for exact hardware call-outs.

SAFETY CHAINS



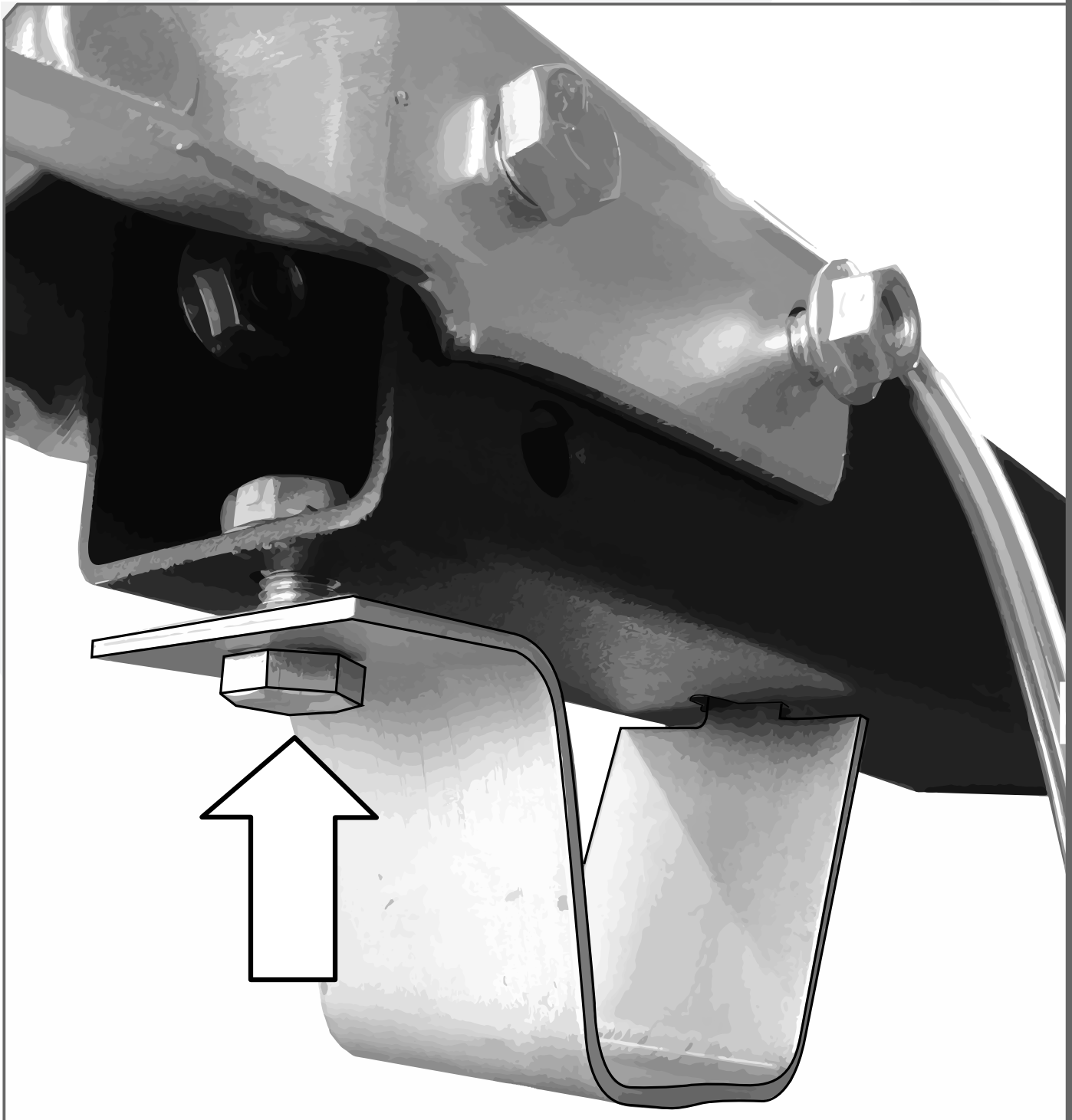


DUB 12TS/TM TRAILER

Shoreland'r Trailer Install Guide
WB.12TSTMT.01

STEP 1

Locate the tongue stand and supplied hardware and install the tongue stand into the front of the tongue.



TONGUE STAND



DUB 12TS/TM TRAILER

Shoreland'r Trailer Install Guide
WB.12TSTMT.01

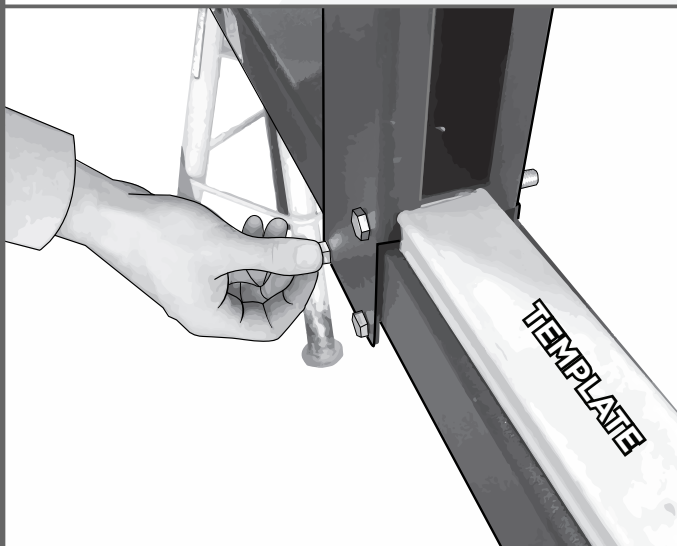
WINCH POST



STEP 1

Locate and mount the winch post assembly onto the tongue.

The winch post location is boat specific. Refer to the Wholesale Manual for the mounting position and locate the template in the workshop.

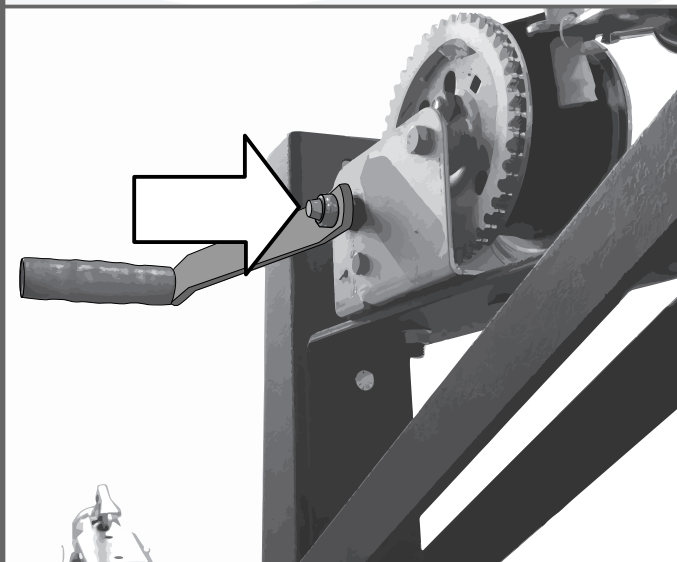


STEP 2

Install the winch post onto the tongue using the supplied hardware and template.

ATTENTION

Ensure the bolts are properly tightened using a socket drill and wrench.



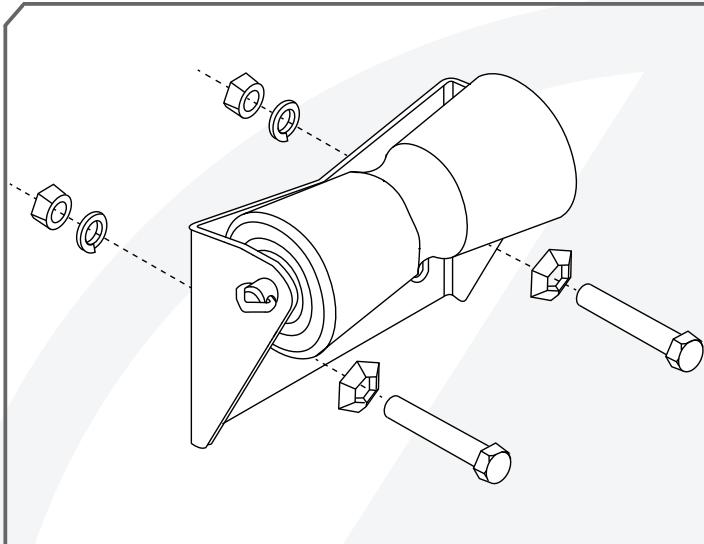
STEP 3

Install the winch handle onto the drive shaft of the winch, secure using the supplied hardware.



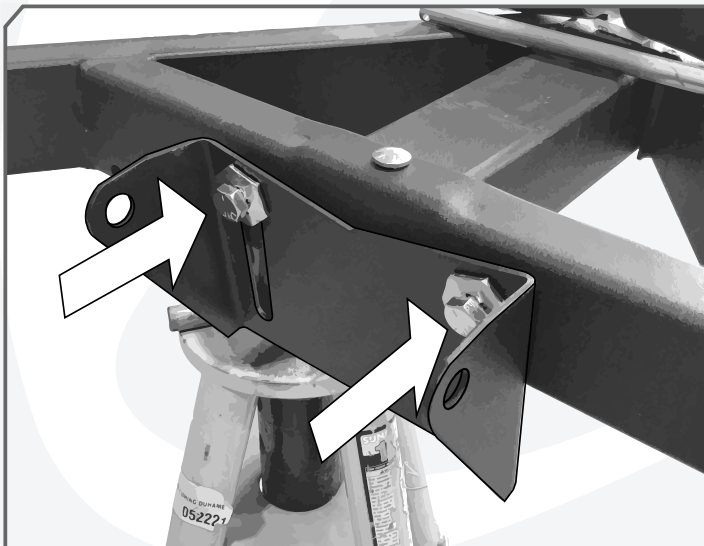
DUB 12TS/TM TRAILER

Shoreland'r Trailer Install Guide
WB.12TSTMT.01



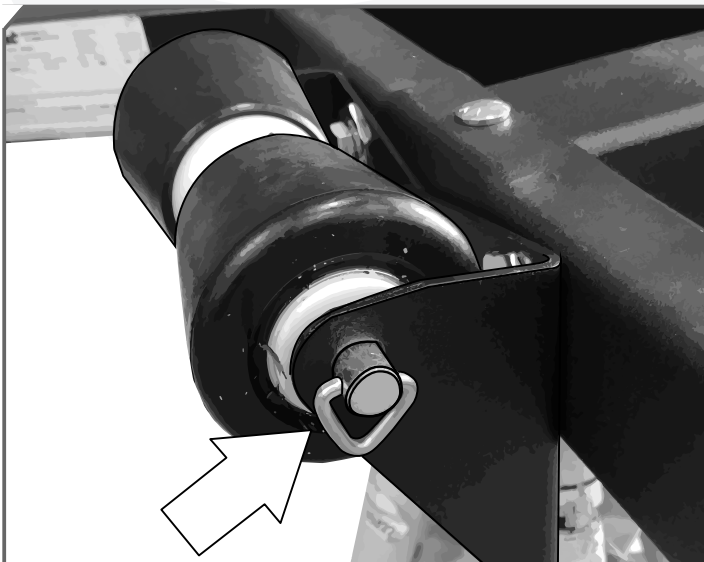
STEP 1

Locate the keel roller, bracket, and hardware required for installation.



STEP 2

Mount the bracket onto the back side of the front cross member and install using the supplied hardware.



STEP 3

Mount the keel roller onto the bracket and install into the bracket.

Using a wrench, clamp the rod fasteners closed, locking the keel roller into the bracket.



DUB 12TS/TM TRAILER

Shoreland'r Trailer Install Guide
WB.12TSTMT.01

STEP 1

Locate the Jack & Dolly and organize the parts to begin installation onto the tongue.



STEP 2

Mount the Jack & Dolly onto the right side of the tongue and install using the supplied hardware.

NOTE

Ensure the lower bolts are positioned in the correct hole based on the tongue height. The Jack & Dolly should not wobble after installing.

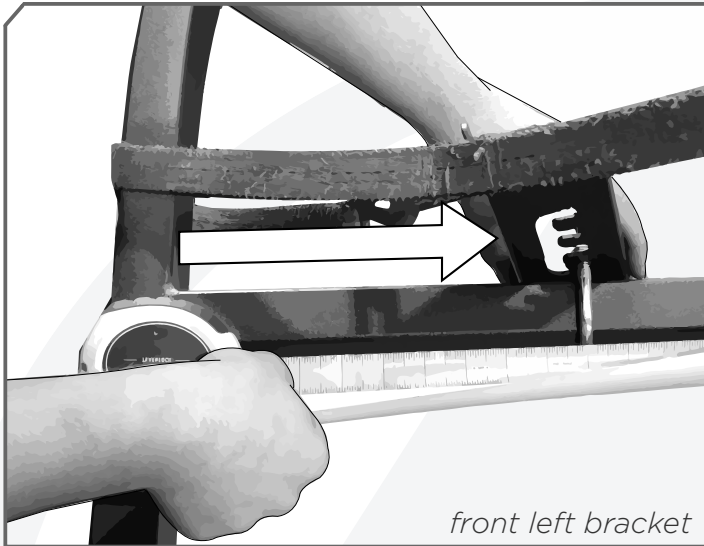
JACK & DOLLY





DUB 12TS/TM TRAILER

Shoreland'r Trailer Install Guide
WB.12TSTMT.01



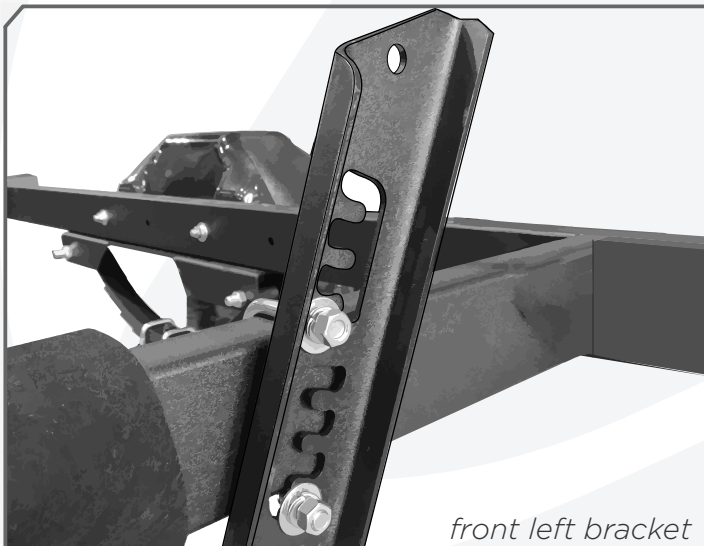
STEP 1

Locate the bunk brackets and supplied hardware.

Refer to the wholesale manual located in the workshop for all bracket hole mounting and distance locations.

NOTE

The brackets are left and right oriented. The top cutout of the brackets should point down towards the center of the trailer.



STEP 2

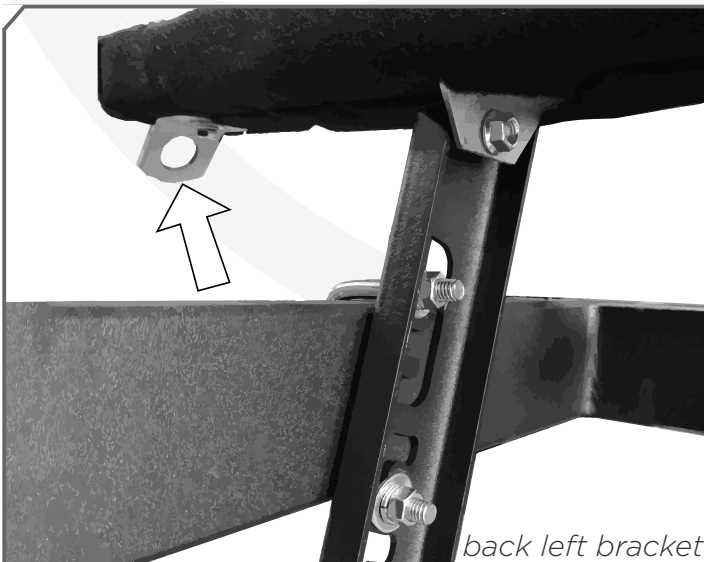
Mount the front left (see image) and right bracket over the center cross member.

Mount the rear left and right bracket over the back cross member.

Install the brackets based on the hole call-outs and supplied hardware.

NOTE

Ensure the U-bolts are pointing towards the front of the trailer.



STEP 3

Install the carpet bunks onto the brackets with the supplied hardware.

Ensure the tie down bracket is installed at the rear of the trailer.

NOTE

Do not over-tighten carpeted bunks.



DUB 12TS/TM TRAILER

Shoreland'r Trailer Install Guide
WB.12TSTMT.01

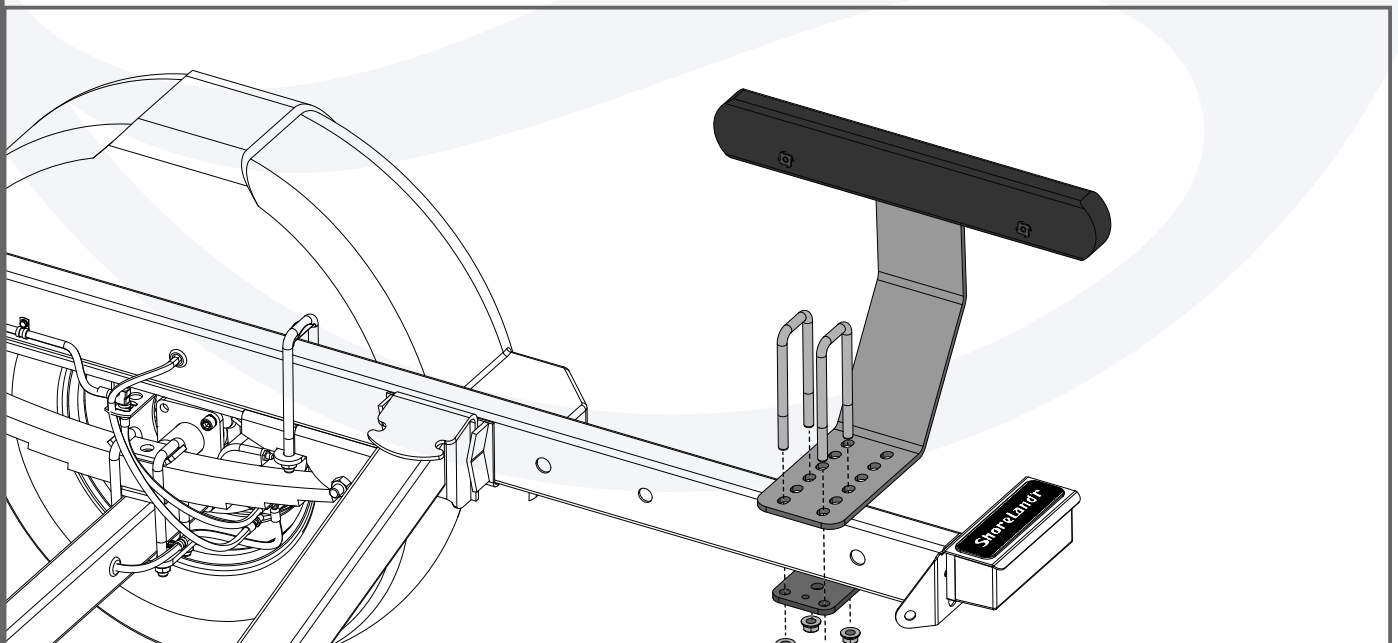
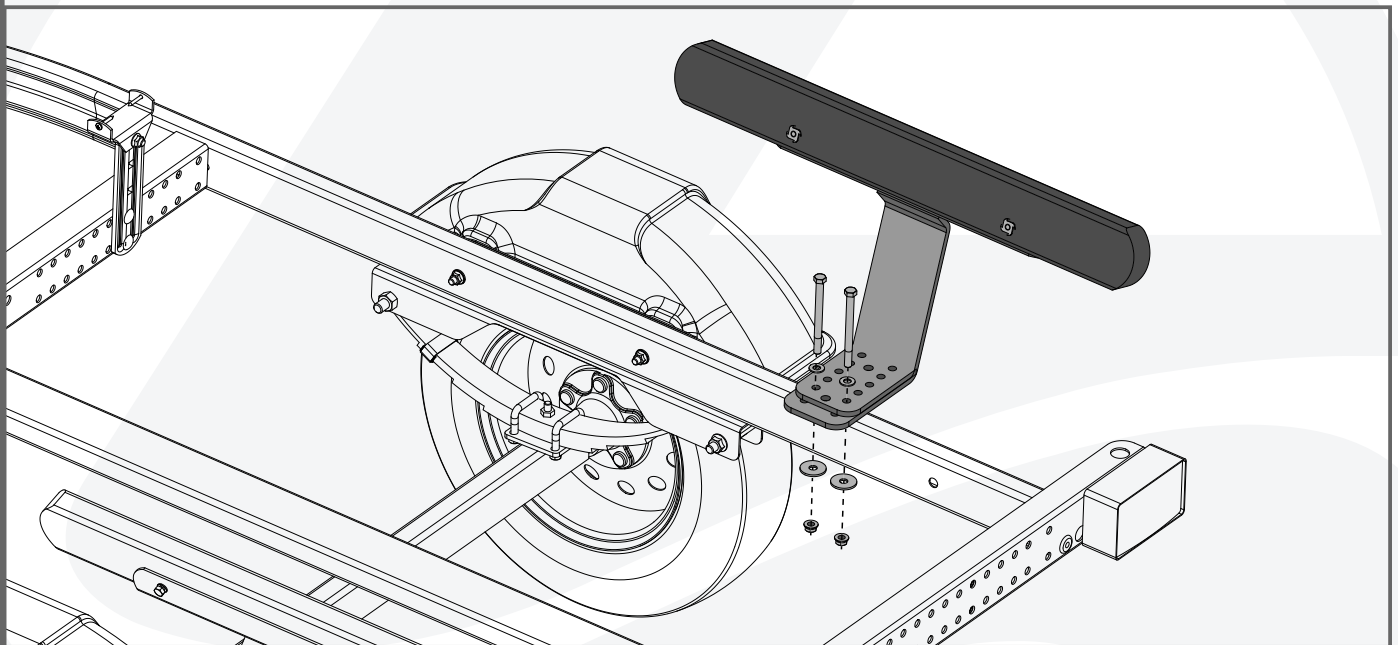
STEP 1

Locate the required hardware and Guide-On bunks to assemble onto the trailer frame. Install both guide-on bunks onto the trailer using the specified mounting holes and hardware.

NOTE

Mounting placement and hardware is trailer specific. Refer to the wholesale manual for mounting locations.

GUIDE-ON BUNKS



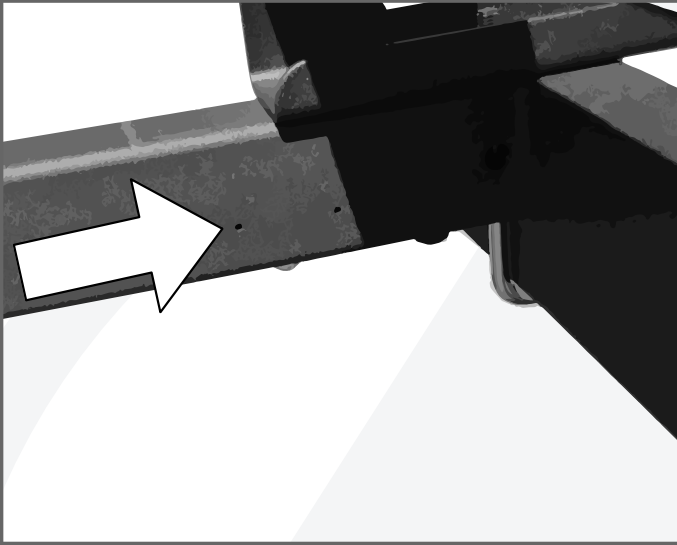


DUB 12TS/TM TRAILER

Shoreland'r Trailer Install Guide
WB.12TSTMT.01

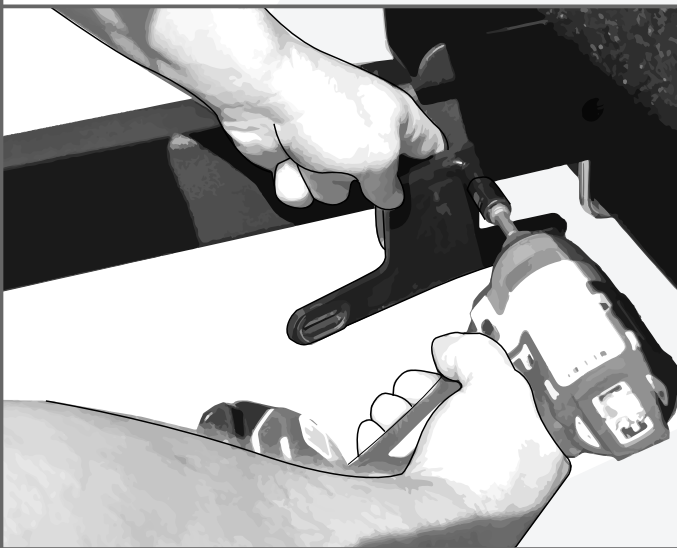
STEP 1

Locate the two mounting hole locations on the rear cross support of the trailer frame.



STEP 2

Using the supplied hardware, mount the license plate bracket onto the rear cross support of the trailer frame.



LICENSE BRACKET



DUB 12TS/TM TRAILER

Shoreland'r Trailer Install Guide
WB.12TSTMT.01

STEP 1

Referring to the Color Tag Chart, attach the applicable color tag onto the winch post.



ID TAGGING