



Mooring Cover

Install Guide
WP.MC.01

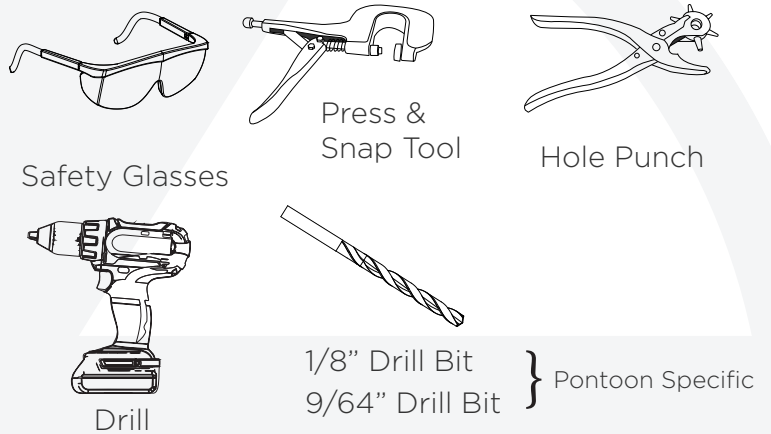
NOTE

The Mooring Cover should be installed after the Bimini and Enclosure have been installed. The Mooring Cover should not be used for winter storage or trailering.

HARDWARE REQUIRED



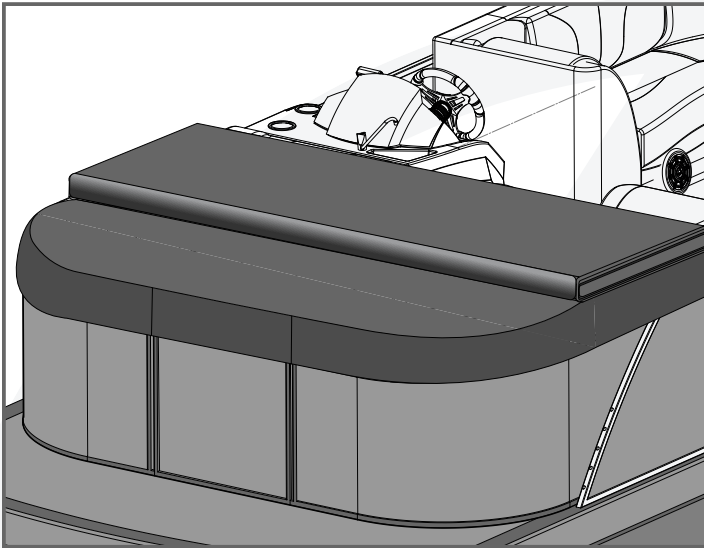
TOOLS REQUIRED





Mooring Cover

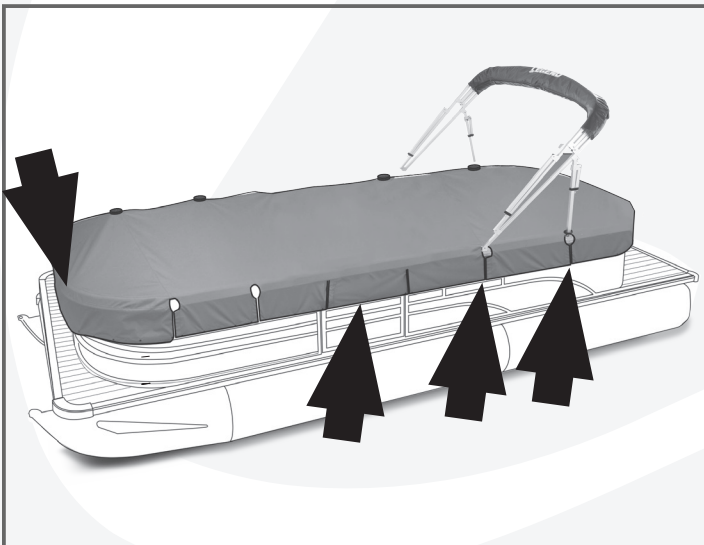
Install Guide
WP.MC.01



STEP 1

Arrange all parts and hardware to begin installing the Mooring Cover.

Locate the front of the Mooring Cover, labeled "FRONT" on the inner tag and mount the Cover onto the front of the Boat.

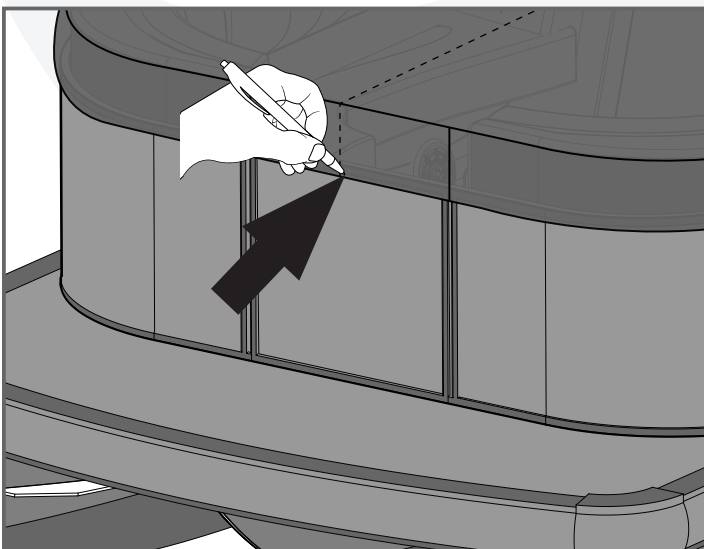


STEP 2

Unroll the Cover towards the Stern, ensuring the Cover is centered with the middle of the boat. Close all Velcro and zippers.

ATTENTION

Walk around the Pontoon to ensure each Corner/Door/Bimini opening is properly aligned and the Cover centerline follows the middle of the Boat.



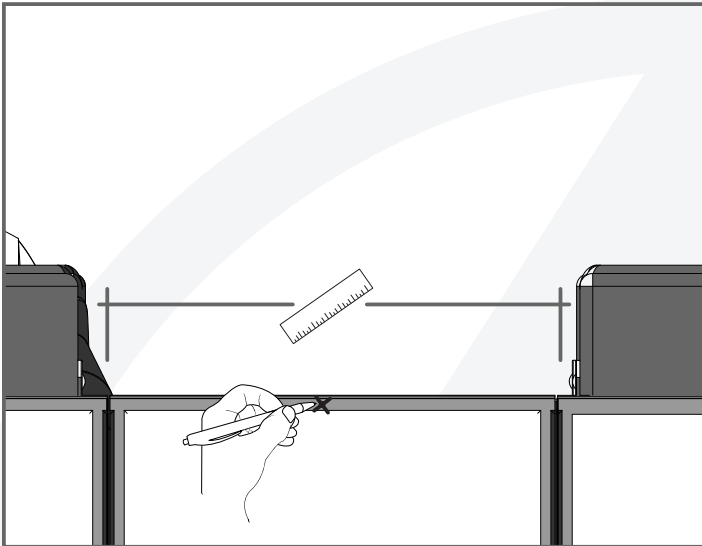
STEP 3

Beginning at the Bow, align the Covers centerline seam with the Door and mark the Snap location onto the Cover.



Mooring Cover

Install Guide
WP.MC.01



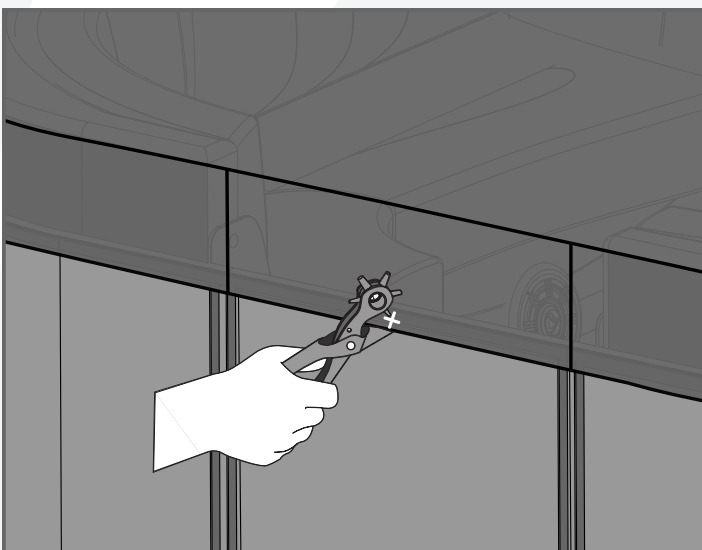
STEP 4

Measure the door opening at the Bow and mark the center location for the Screw Stud onto the Door Rail.

NOTE

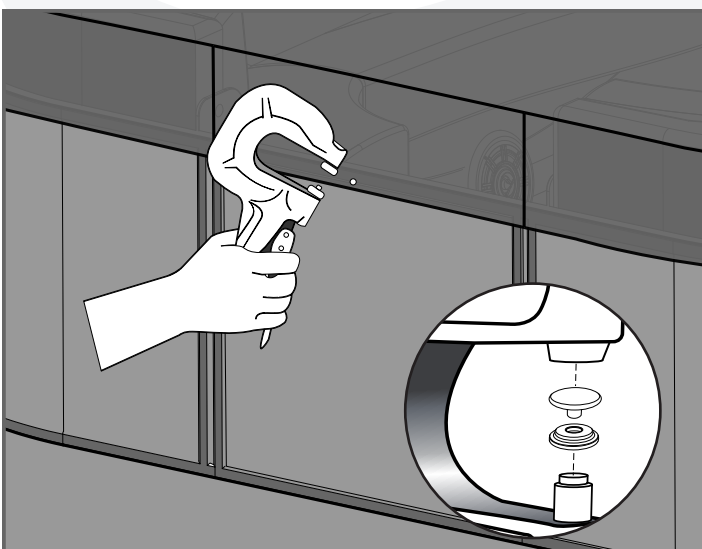
Ensure the marks on the Cover and Door are aligned prior to punching a hole in the canvas.

Ensure the hole location is centered on the rail or marked in a groove, as railing profiles can vary.



STEP 5

Using the Hole Punch tool, punch a hole into the Cover at the previously marked location.



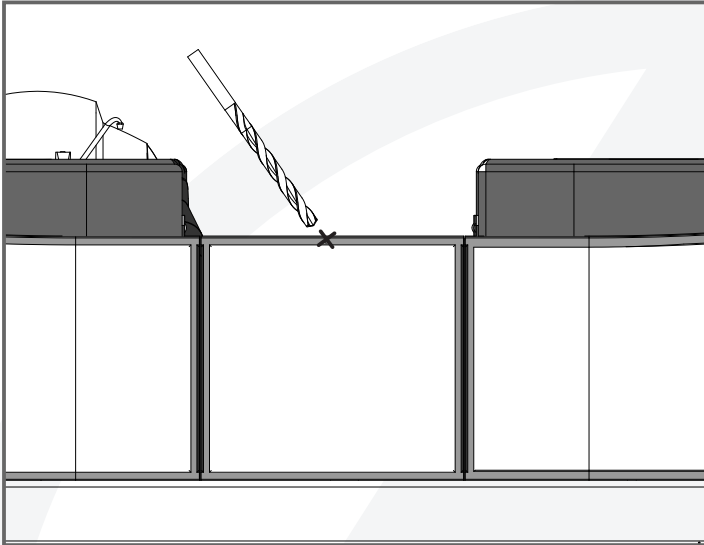
STEP 6

Using the Press & Snap Tool, install a snap into the punched hole.



Mooring Cover

Install Guide
WP.MC.01

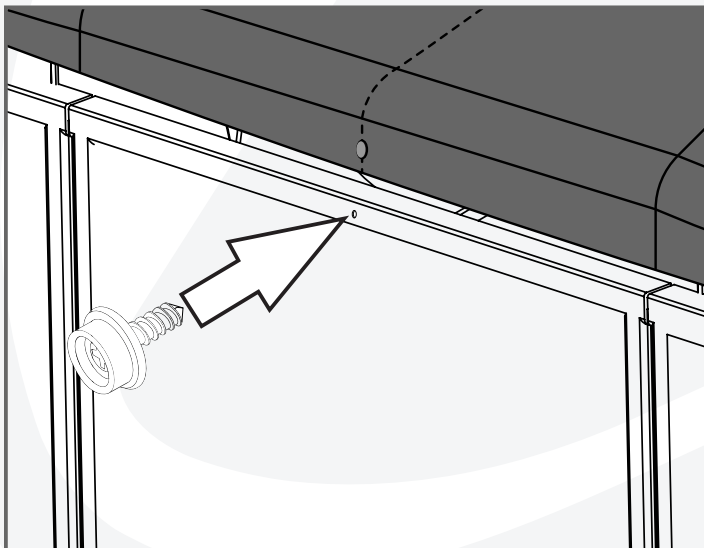
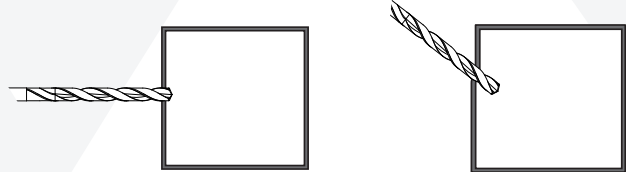


STEP 7

Using a **pontoon rail specific** drill bit, drill a pilot hole into the front of the Railing, do not drill through both sides.

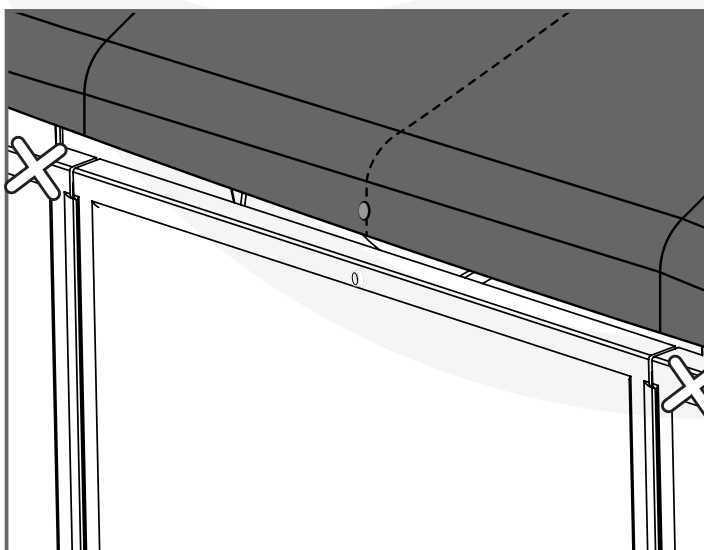
NOTE

Ensure the hole location is centered on the rail or marked in a groove, as railing profiles can vary.



STEP 8

Install a Screw Stud (S1) into the previously drilled pilot hole. Snap the Cover into place.



STEP 9

Measuring 2" from the edge of the door, drill a pilot hole into the fence and install a Screw Stud (S1).

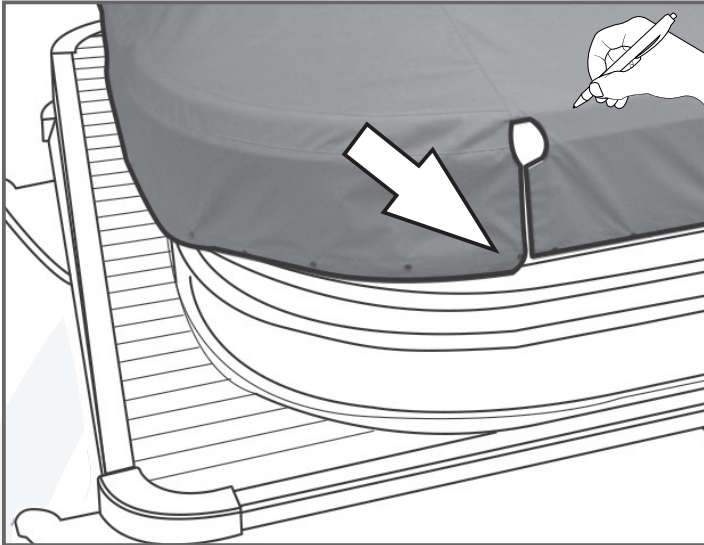
NOTE

Pilot hole locations vary by Pontoon & Size, ensure each Screw Stud and Snap is even and symmetrical to the Railing and Cover.



Mooring Cover

Install Guide
WP.MC.01



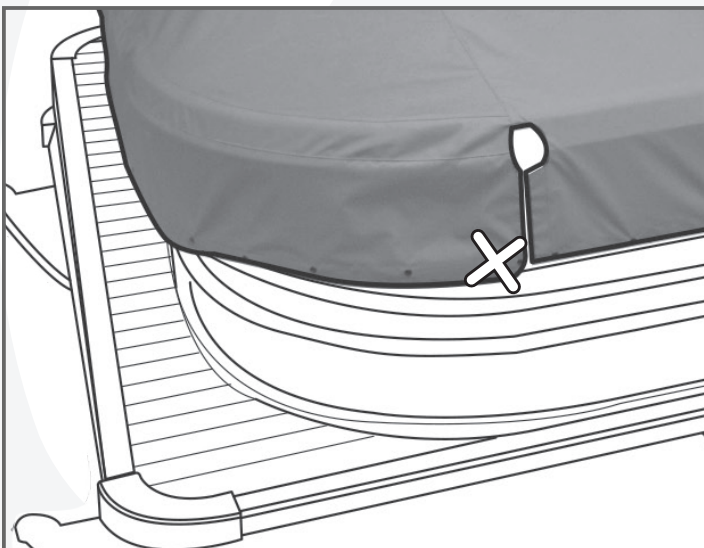
STEP 10

Locate the nearest Velcro on the Side of the Pontoon near the Bow, pull the Cover taut and mark the Snap location onto the Cover.

Install the Snap onto the Cover.

NOTE

Do not mark snap locations onto Velcro, only Canvas.
Refer to step 5,6 for Snap Install.



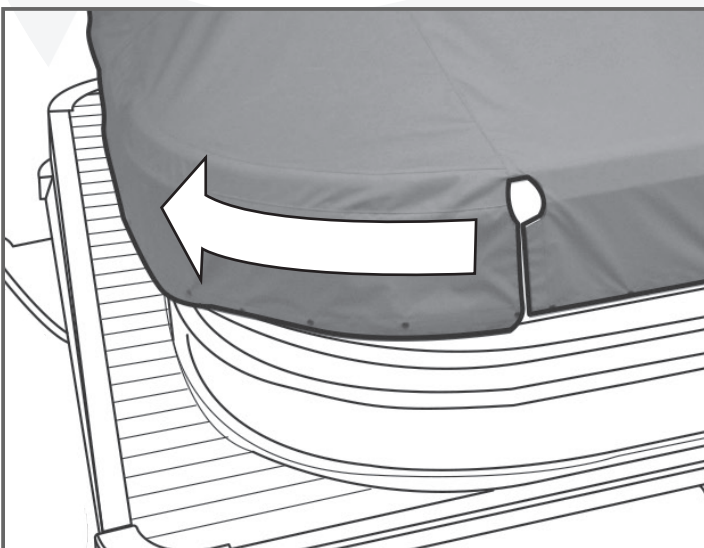
STEP 11

Mark a pilot hole onto the railing using the previously installed snap as a reference.

Install a Screw Stud (S1) into the railing pilot hole and snap the Cover into place.

ATTENTION

Refer to Step 7 for Screw Stud Install.



STEP 12

Continue installing snaps, screw studs into the Cover and Railing towards the Snaps previously installed in Step 9. Repeat to opposite Bow Corner.

NOTE

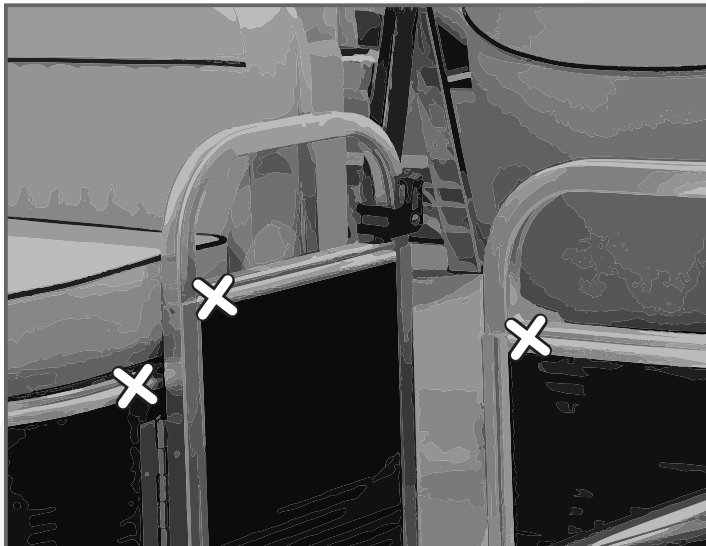
Corners require 2-3 pilot holes approximately 4"-6" apart

Snaps should be evenly spaced (18"-24") and follow the Cover and Railing consistently.



Mooring Cover

Install Guide
WP.MC.01



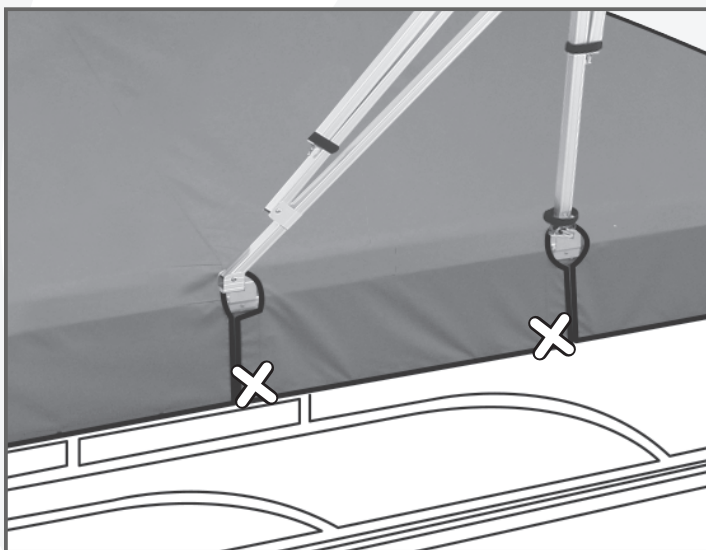
STEP 13

Navigate to the Stern of the Boat and mark the mounting locations of any sharp corners onto the Cover and Railing.

Install a Snap onto the Cover and Screw Stud into the Railing and snap into place.

NOTE

Do not install Screw Studs directly beneath/ beside hinges.



STEP 14

Continue installing Snaps and Screw Studs into the Cover and Railing, completing the Stern of the Pontoon and moving up the Port and Starboard sides.

ATTENTION

Each section of the Mooring Cover requires a Snap and Stud at the beginning and end of the section. Do not install snaps/studs in a straight line towards the Bow.

